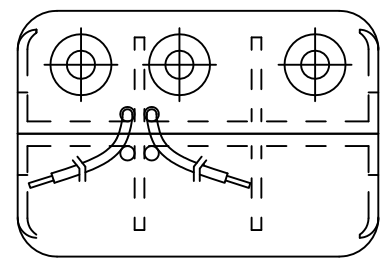
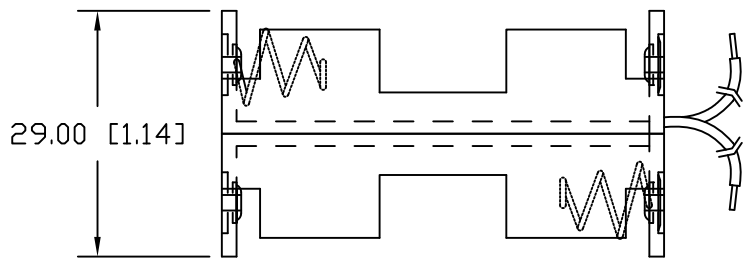
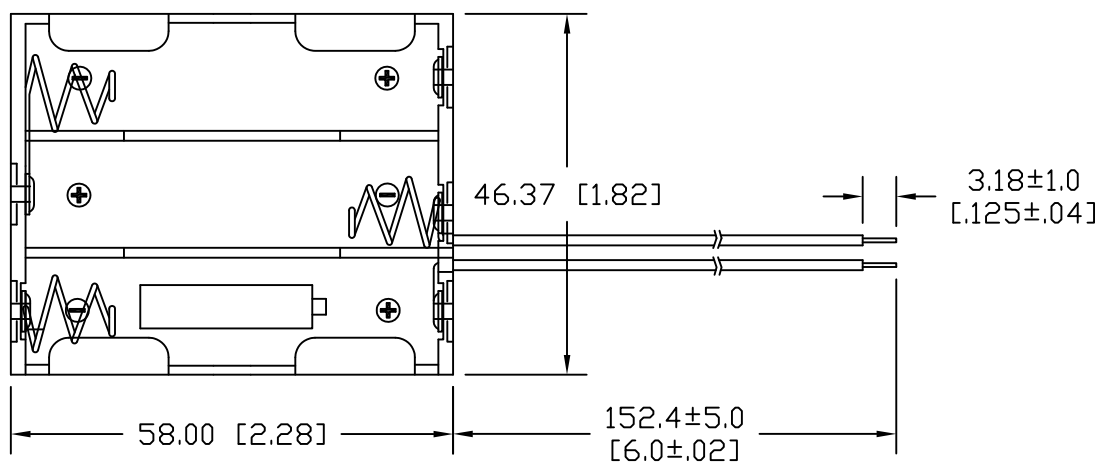



Date	SYM	REVISION RECORD	AUTH	DR.	CK.
11/21/14	B	REDRAWN AND UPDATED TO ROHS 2 COMPLIANT	T.B.	B.S.	



1. MATERIAL:

HOUSING : BLACK POLYPROPYLENE
 FLAMMABILITY RATING -UL94-HB, UL FILE NO. E216959
 TEMPERATURE RANGE: -10°C to +100°C
 RIVETS: BRASS, NICKEL PLATED.
 SPRING: SPRING STEEL, NICKEL PLATED.
 WIRES: 26 AWG, UL1007, CSA TR-64, 300V, 80°C
 CONTACT RESISTANCE: UNDER 50mΩ FOR +/- CONTACTS PER
 EIA-540J000

ROHS 2 COMPLIANT.

Tolerance (Inches)	 Memory Protection Devices, Inc 200 Broad Hollow Road, Farmingdale, New York 11735		
	Decimal ±.5 (.020)	Scale	Drawn By B.S. Approved By T.B.
Fractional ±.8 (.030)	Title 6 "AA" BATTERY HOLDER WITH WIRE LEADS		
Angular ± 3°	Date 11/21/14	Drawing Number BH26AAW	