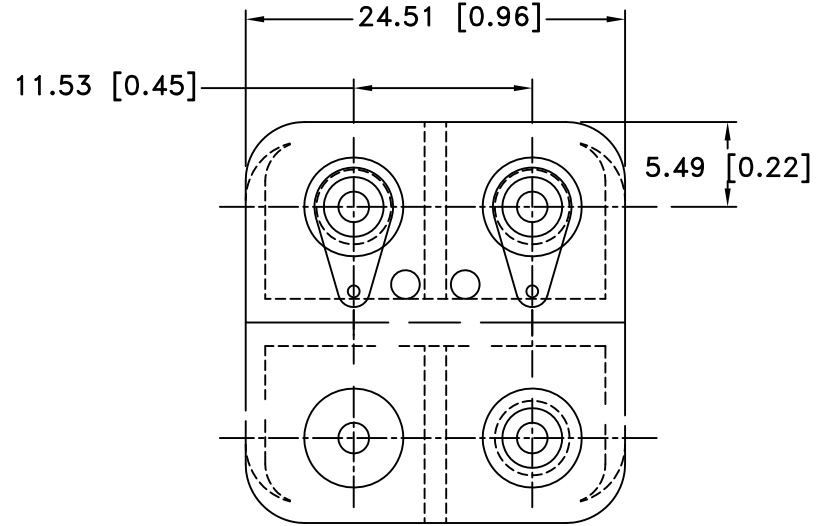
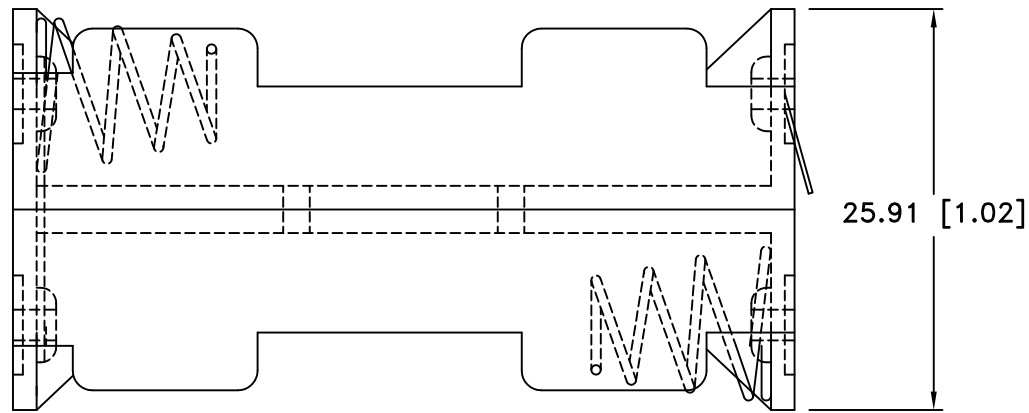
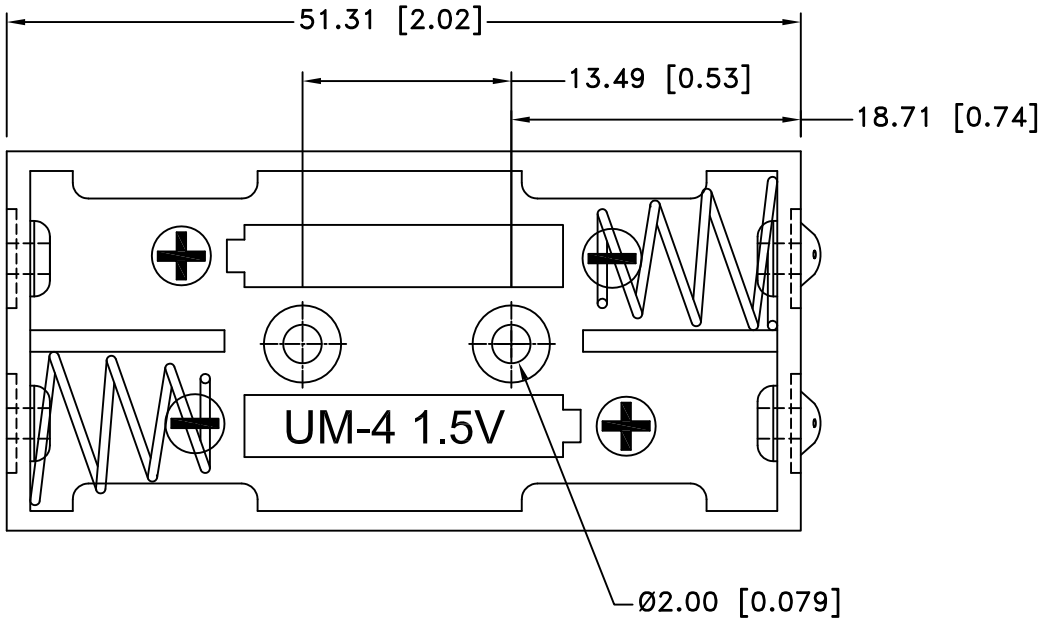


Date	SYM	REVISION RECORD	AUTH	DR.	CK.
9/23/06	A	ADDED "ROHS COMPLIANT" UPDATED MATERIAL NOTES	T.B.	B.S.	
4/04/08	B	ADDED DIM. 25.91	T.B.	B.S.	
11/07/14	C	UPDATED TO ROHS 2 COMPLIANT	T.B.	B.S.	




NOTES:

1. MATERIAL:

- HOUSING : BLACK POLYPROPYLENE
- FLAMMABILITY RATING -UL94-HB, UL FILE NO. E216959
- TEMPERATURE RANGE: -10°C to +100°C
- RIVETS: BRASS, NICKEL PLATED.
- SPRING: SPRING STEEL, NICKEL PLATED.
- 9 VOLTS SNAPS: BRASS, NICKEL PLATED.
- CONTACT RESISTANCE: UNDER 50mΩ FOR +/- CONTACTS PER EIA-540J000

ROHS 2 COMPLIANT.

Tolerance (Except as noted)	 Memory Protection Devices, Inc 200 Broad Hollow Road, Farmingdale, New York 11735	Scale	Drawn By B.S.
			Approved By T.B.
decimal $\pm .5$ (.020)	Title FOUR "AAA" CELL HOLDER WITH SOLDER LUGS	Date 11/07/14	Drawing Number BH24AAAL
Fractional $\pm .8$ (.030)			
Angular $\pm 3^\circ$			