

Excellent Integrated System Limited

Stocking Distributor

Click to view price, real time Inventory, Delivery & Lifecycle Information:

[CUI Inc.](#)
[DPD090050-P1P-TK](#)

For any questions, you can email us directly:
sales@integrated-circuit.com



Part No: DPD090050-P1P-TK

Date: 8/11/04

Description: Power Supply

Unit: mm

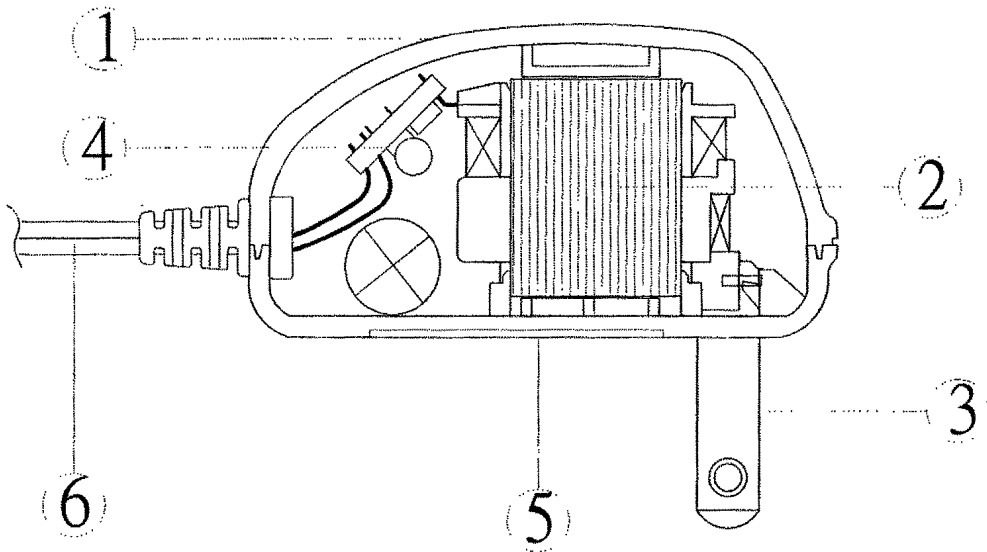
Page No: 1 of 6

TEST DATA

| ITEM | SPEC | SAMPLE | | | | | | | | | |
|----------------------------------------------------------------------------|--------------|------------|-------|-------|----|----------------------------------------|---|---|---|---|----|
| | | 1 | 2 | 3 | 4 | 5 | 6 | 7 | 8 | 9 | 10 |
| Primary Exciting Current Input 120VAC , 60 Hz | 60 mA max | 35 | 34 | 34 | | | | | | | |
| Primary Load Current Input 120VAC , 60 Hz | 95 mA max | 81 | 81 | 81 | | | | | | | |
| Secondary No Load DC Voltage | 13.5V ±5% | 13.4 | 13.34 | 13.27 | | | | | | | |
| Secondary DC Voltage Load 500 mA | 9V ±5% | 9.05 | 9.04 | 9.04 | | | | | | | |
| Secondary Voltage Load mA | V ± % | | | | | | | | | | |
| Secondary Voltage Load mA | V ± % | | | | | | | | | | |
| Secondary Voltage Load mA | V ± % | | | | | | | | | | |
| Secondary Voltage Load mA | V ± % | | | | | | | | | | |
| Ripple Voltage Load 500 mA (PK-PK) | 2.5V max | 2 | 2 | 2 | | | | | | | |
| Hi-Pot Test 3 mA for 3SEC | Pri. to Sec. | 2K VAC | OK | OK | OK | | | | | | |
| | Pri. to Core | 2K VAC | OK | OK | OK | | | | | | |
| | Sec. to Core | 1.5K VAC | OK | OK | OK | | | | | | |
| Temperature Rise: 70°C MAX measured By Resistance Method (Primary Winding) | | | | | | | | | | | |
| Core Film: SPLIT | | | | | | Core : EI-35 | | | | | |
| Testing Circuit: | | 1000uF/16V | | | | Output Plug Drawing: PLUG: 3.5*14mm | | | | | |
| | | | | | | | | | | | |
| Output conductor length: 6FT min (AWG#22) | | | | | | | | | | | |
| Input conductor length: min (AWG#) | | | | | | | | | | | |
| (V) Characteristic Curve | | | | | | | | | | | |
| | | | | | | | | | | | |

AC Adaptor Specifications

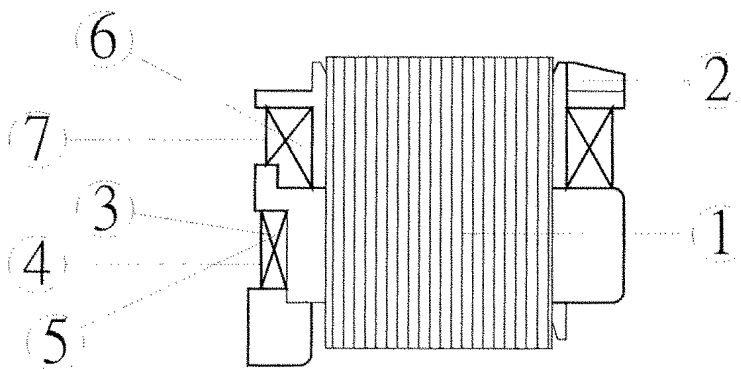
Internal Construction Drawing and Parts List (Unit: Set or EA)



| Part Name | Specification | Q'ty |
|---------------------------------------|---------------------------|------|
| 1. Enclosure | Noryl SE1 94V-0 105°C | |
| | Noryl SE-100 94V-0 95°C | |
| | Noryl PX1700 94V-0 95°C | |
| | 940(f1) 94V-0 130°C | |
| 2. Transformer | EI-35 | 1 |
| 3. Blade | Ni plated brass | 2 |
| 4. Print Wiring Board Assembly | | |
| Print Wiring Board | 04V0 94V-0 130°C | 1 |
| | 11 94V-0 105°C | |
| | 13 94V-0 130°C | |
| | BF-3 94V-0 130°C | |
| Diode | 1A 400-700V IN4004-IN4007 | 4 |
| Capacitor | 1000uf 16V 85°C | 1 |
| 5. Name Plate | Polyester Film | 1 |
| 6. Output Cord | AWG#22 6FT min | 1 |

AC Adaptor Specifications

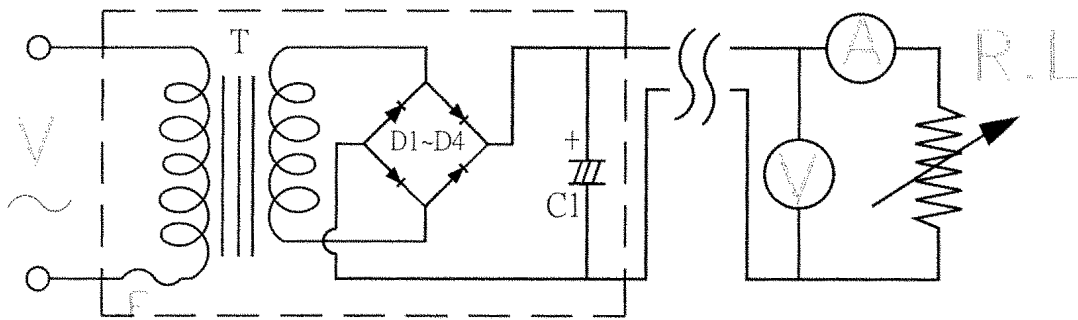
Construction Drawing and Details of Transformer



| Part Name | Material & Type | Spec or Q'ty |
|----------------------------|----------------------------|-------------------|
| 1. Core | Silicon Steel | 0.5mm |
| 2. Bobbin | Polybutylene Terephthalate | 0.71mm |
| | 1403G6 | |
| | PETP (QMFZ2) | |
| | FR-530, FR530L | |
| 3. Primary Winding | Polyurethane Enameled | mm turn ohm |
| | Copper wire | |
| 4. Primary Outer Winding | Mylar Tape | 0.025mmx2T |
| 5. Thermal Fuse | M30 2A 125°C 250V AC | 1PC |
| 6. Secondary Winding | Polyurethane Enameled | mm turn ohm |
| | Copper Wire | |
| 7. Secondary Outer Winding | Mylar Tape | 0.025mmx2T |

AC Adaptor Specifications

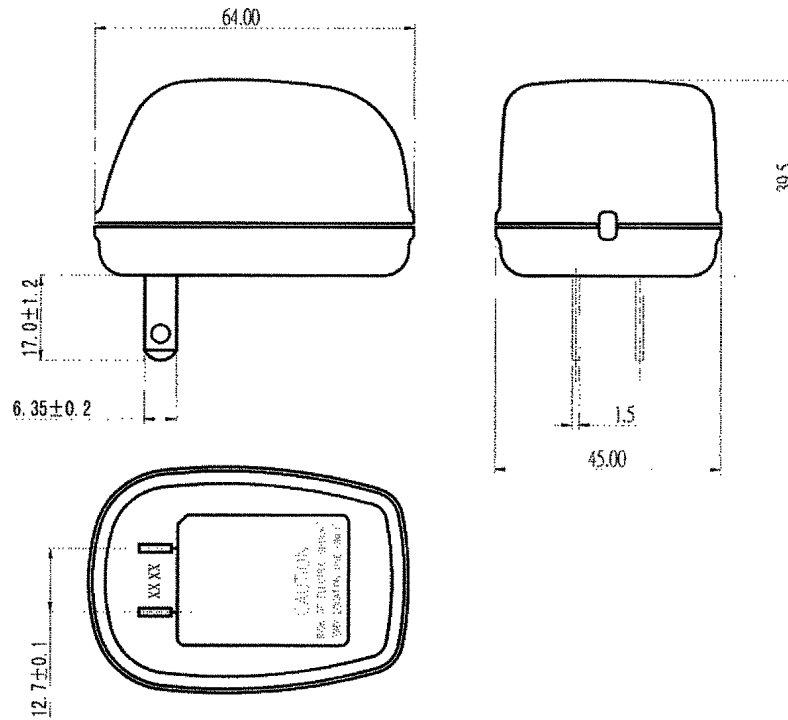
Circuit Diagram



| Symbol | Part Name | Note |
|--------|--------------|---------------------------|
| T | Transformer | EI-35 |
| D(1~4) | Diode | 1A 400-700V IN4004-1N4007 |
| C1 | Capacitor | 1000uF 16V 85°C |
| F | Thermal Fuse | 125°C 2A 250V |

AC Adaptor Specifications

Appearance Drawing (Unit:mm)





Part No: DPD090050-P1P-TK

Description: Power Supply

Date: 8/11/04

Unit: mm

Page No: 6 of 6

Adaptor Specifications

Dimension of Nameplate (Unit:mm)

