

## Excellent Integrated System Limited

Stocking Distributor

Click to view price, real time Inventory, Delivery & Lifecycle Information:

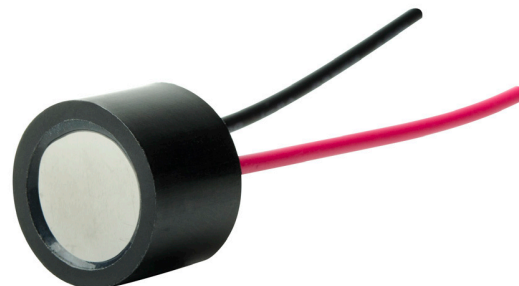
[CUI Inc.](#)  
[CPE-243](#)

For any questions, you can email us directly:  
[sales@integrated-circuit.com](mailto:sales@integrated-circuit.com)

**MODEL:** CPE-243 | **DESCRIPTION:** PIEZO BUZZER INDICATOR

**FEATURES**

- wire leads
- 12 Vdc rating
- 5 kHz rated frequency
- IP67 rated



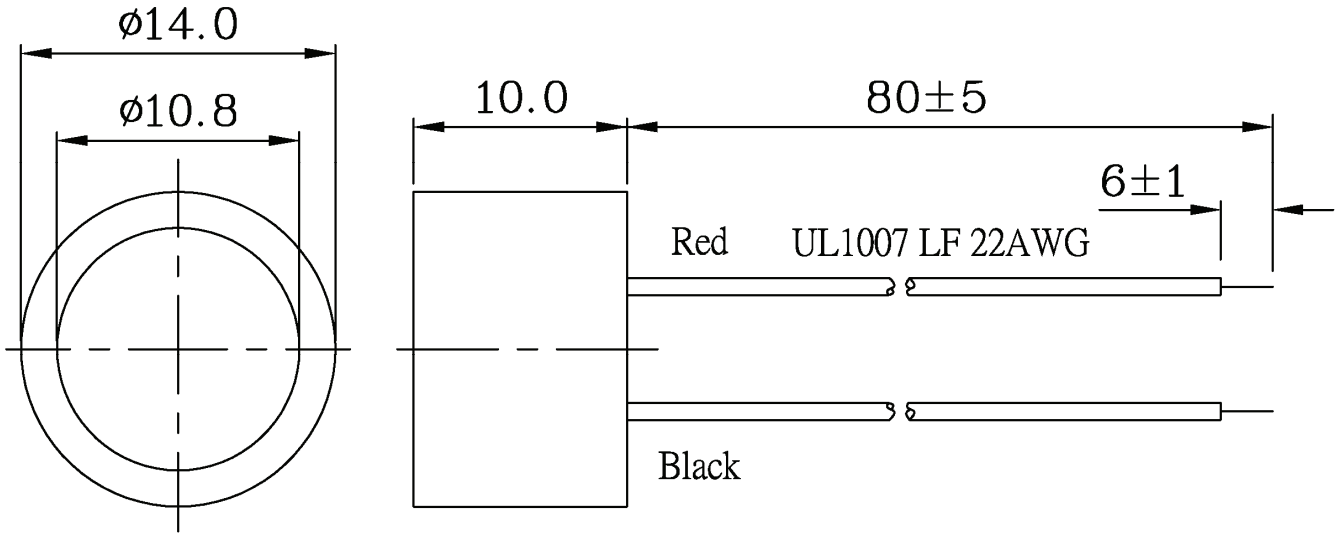
**SPECIFICATIONS**

parameter	conditions/description	min	typ	max	units
rated voltage			12		Vdc
operating voltage		9		16	Vdc
current consumption	at rated voltage			35	mA
rated frequency		4,500	5,000	5,500	Hz
sound pressure level	at 30 cm, rated voltage	80			dB
dimensions	Ø14.0 x 10.0				mm
weight				10.0	g
material	ABS UL94 1/16" HB High Heat (black)				
terminal	wire leads				
operating temperature		-30		85	°C
storage temperature		-40		95	°C
RoHS	2011/65/EU				
IP67	IEC standard 529 edition 2.0 (1989)				

Notes: 1. All specifications measured at 5~35°C, humidity at 45~85%, under 86~106kPa pressure, unless otherwise noted.

**MECHANICAL DRAWING**

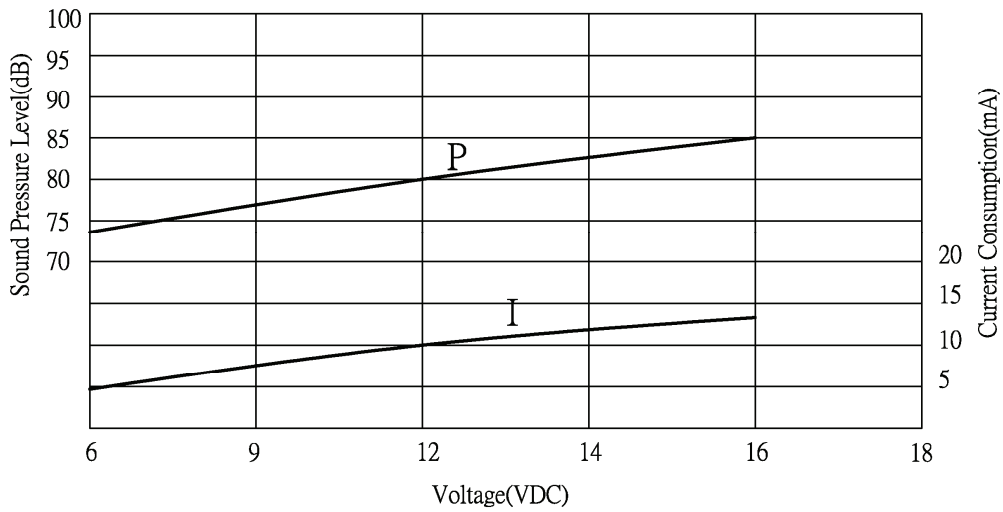
units: mm  
tolerance: ±0.5 mm



**PERFORMANCE CURVES**

P: Voltage vs. Sound Pressure Level  
I: Voltage vs. Current Consumption

at 30cm





## REVISION HISTORY

rev.	description	date
1.0	initial release	06/09/2005
1.01	applied new spec template	06/16/2015

The revision history provided is for informational purposes only and is believed to be accurate.



**CUI INC**<sup>®</sup>

**Headquarters**  
20050 SW 112th Ave.  
Tualatin, OR 97062  
**800.275.4899**

Fax 503.612.2383  
**cui.com**  
techsupport@cui.com

CUI offers a one (1) year limited warranty. Complete warranty information is listed on our website.

CUI reserves the right to make changes to the product at any time without notice. Information provided by CUI is believed to be accurate and reliable. However, no responsibility is assumed by CUI for its use, nor for any infringements of patents or other rights of third parties which may result from its use.

CUI products are not authorized or warranted for use as critical components in equipment that requires an extremely high level of reliability. A critical component is any component of a life support device or system whose failure to perform can be reasonably expected to cause the failure of the life support device or system, or to affect its safety or effectiveness.