

Excellent Integrated System Limited

Stocking Distributor

Click to view price, real time Inventory, Delivery & Lifecycle Information:

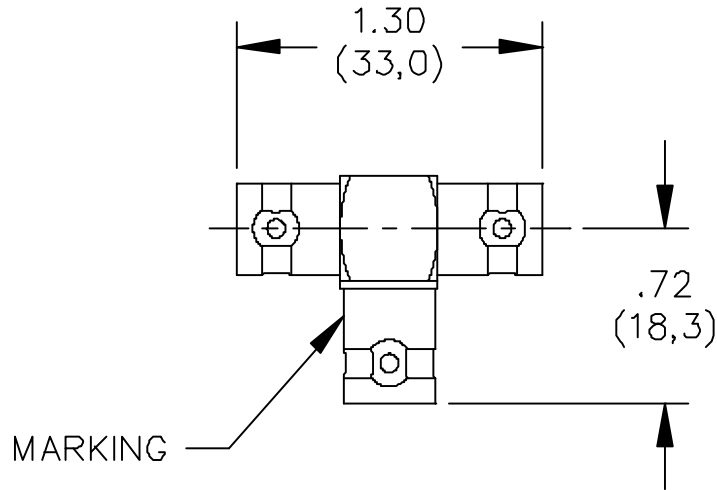
[Pomona Electronics](#)
[3284](#)

For any questions, you can email us directly:

sales@integrated-circuit.com

Pomona[®]

**Model 3284
 Adapter, BNC "T"
 Female-Female-Female**



MATERIALS:

Body and Fittings – Brass, Tarnish Resistant Plating, Center Contact – Gold Plated Beryllium Copper

Dielectric: PTFE

Marking: "Pomona 3284"

RATING:

Operating Voltage: Shield/Earth: 30VAC/60VDC Max.

Inner Conductor/Shield: 500VRMS Max.

Operating Temperature: -65°C to +165°C

Nominal Impedance: 50 Ohms

ORDERING INFORMATION: Model 3284

All dimensions are in inches and metric. All specifications are to the latest revisions. Specifications are subject to change without notice. Registered trademarks are the property of their respective companies. Made in USA