

## **Excellent Integrated System Limited**

Stocking Distributor

Click to view price, real time Inventory, Delivery & Lifecycle Information:

[TE Connectivity AMP Connectors  
201766-1](#)

For any questions, you can email us directly:  
[sales@integrated-circuit.com](mailto:sales@integrated-circuit.com)

4

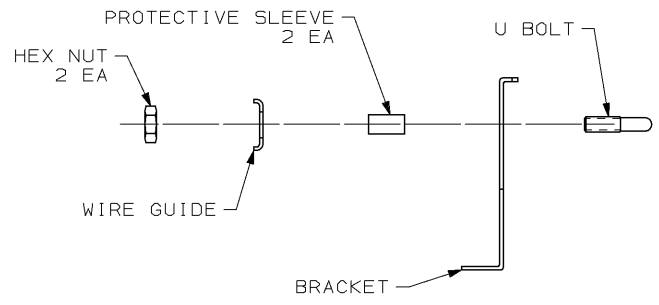
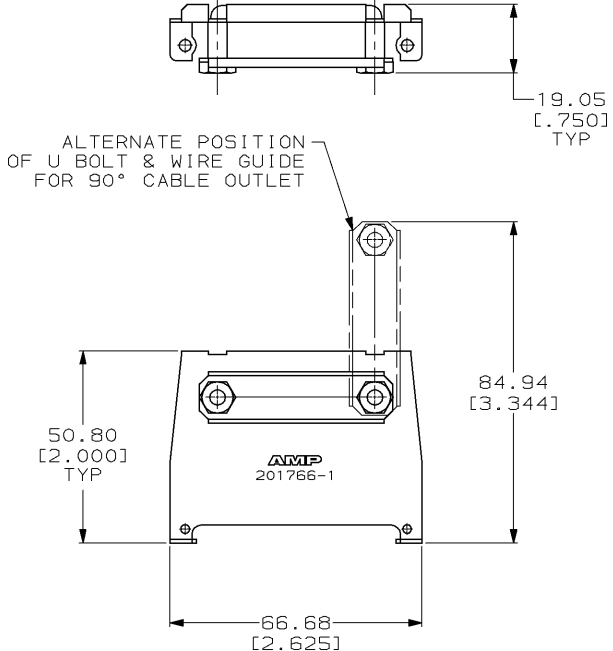
3

2

1

THIS DRAWING IS UNPUBLISHED. RELEASED FOR PUBLICATION .19  
 BY AMP INCORPORATED. ALL RIGHTS RESERVED.

LOC		DIST		REVISIONS			
P	LTR	DESCRIPTION	DATE	OWN	APVD		
		K	REDRAWN PER EC 0020-1178-94	29 AUG 95	-	-	



- 1 U BOLT: STAINLESS STEEL PER ASTM-A-582.  
 BRACKET: STAINLESS STEEL PER QQ-S-766.  
 PROTECTIVE SLEEVE: POLYVINYL CHLORIDE.  
 WIRE GUIDE & HEX NUT: CARBON STEEL.
- 2 U BOLT & BRACKET: PASSIVATED.  
 WIRE GUIDE: 5.08µm[.000200] MIN NICKEL PLATED.  
 HEX NUT: ZINC PLATED PER ASTM-B-633.

201766-1  
 PART NUMBER

<small>THIS DRAWING IS A CONTROLLED DOCUMENT FOR AMP INCORPORATED. IT IS SUBJECT TO CHANGE AND THE CONTROLLING ENGINEERING ORGANIZATION SHALL BE CONTACTED FOR THE LATEST REVISION.</small>		DWN C. REIFSNYDER 29 AUG 95 CHK R. STONE 30 AUG 95 APVD G. STEINHAUER 05 OCT 95	AMP Incorporated Harrisburg, PA 17105-3608
DIMENSIONS: mm (INCHES)	TOLERANCES UNLESS OTHERWISE SPECIFIED: 0 PLC ±- 1 PLC ±- 2 PLC ±0.38[.015] 3 PLC ±- 4 PLC ±- ANGLES ±-	NAME CLAMP KIT, UNASSEMBLED, 41 PLACE, STRAIN RELIEF, M SERIES SIZE A3 CASE CODE 00779 DRAWING NO C-201766	WEIGHT - CUSTOMER DRAWING
MATERIAL	FINISH	SCALE 1:1	SHEET 1 OF 1 REV K