

Excellent Integrated System Limited

Stocking Distributor

Click to view price, real time Inventory, Delivery & Lifecycle Information:

[C&K Components](#)

[K5V19023P](#)

For any questions, you can email us directly:

sales@integrated-circuit.com

K5V Panel Mount Lighted Tact Switch

Features

- Gold plated dome contact SPST/SPDT
- Excellent ergonomie
- High bright leds
- Reduced space usage on pannel
- 50 N overload
- Lead free compliant

Typical Applications

- When backlighting and switch are required to be a "2 in 1" component
- The dome contact secures a superior contact reliability in time
- The ergonomie of K5V provides a long travel, a sharp tactile feel and a sound click

Photo Here
In process:
due 2 July, '04

Tactile Switches

Specification

FUNCTION: momentary action
CONTACT ARRANGEMENT: Normally Open + Normally Closed
BACKLIGHTING: high bright LED, independent terminals
TERMINALS: Solder terminals with wire holes 1.3 x 0.6mm

Mechanical

Type	Operating force FA ¹ Newtons (grams)	Operating life (operations)	Travel (total travel) mm(mm)
K5V10033P	2.0 (200)	100,000	0.6 (2.5)
K5V10043P	4.5 (450)	30,000	1.2 (2.5)

¹) Tolerances of operating force FA is ± 25%.

Packaging

70 pieces per tray
350 pieces per box

Electrical

POWER MIN/MAX: 0.02VA / 1.0VA
VOLTAGE MIN/MAX: 20mVdc – 32 Vdc
CURRENT MIN/MAX dc: 0.05mA (gold)– 100mA (silver)
CONTACT RESISTANCE: <100mOhms
INSULATION RESISTANCE: >1GOhms initial, >10MOhms after damp heat
BOUNCE TIME: <5ms

Environmental

OPERATING TEMPERATURE: -40 C TO 85 C
STORAGE TEMPERATURE: -50 C TO 85 C
RELATIVE HUMIDITY: 90 to 96% according to NF EN 60068-2-30
OVERLOAD: 50N min

Process

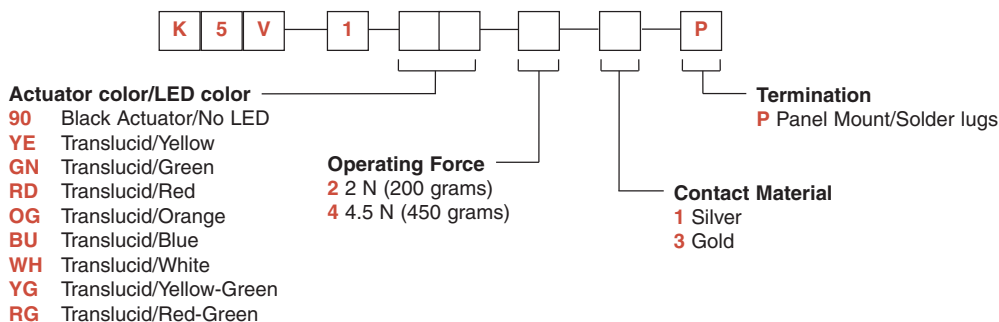
SOLDERING: Low wattage soldering iron (25-50 watts max).
Solder time 3 seconds max.
FLUX TIGHT. No wash.
LEAD FREE AND RoHs COMPLIANT

Materials

CONTACTS: Au over Ni
SOLDERING: Ag or Au
HOUSING: Thermoplastic UL94 HB

How To Order

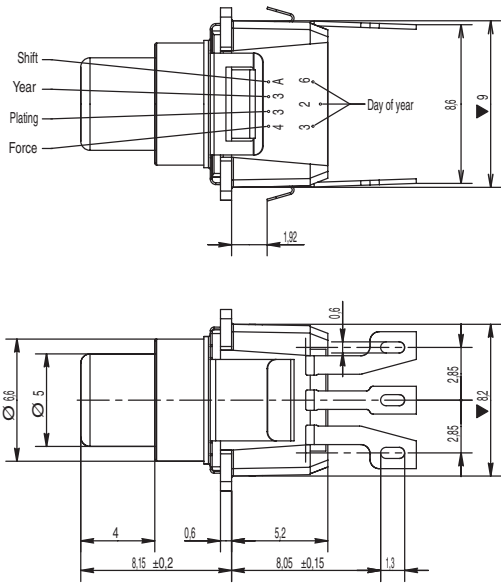
Our easy build-a-switch concept allows you to mix and match options to create the switch you need. To order, select desired option from each category and and place it in the appropriate box.



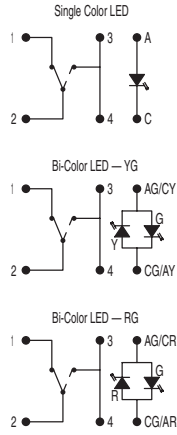
K5V Panel Mount Lighted Tact Switch

K5V PM

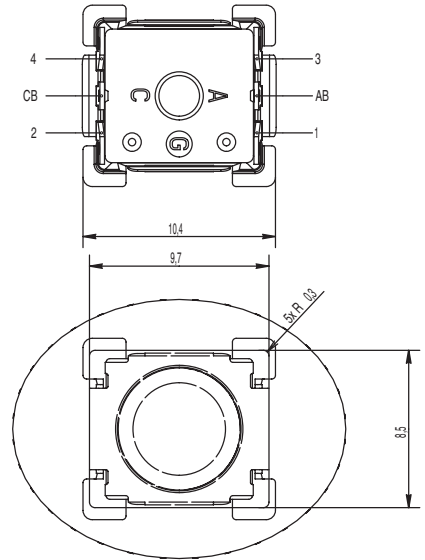
PRODUCT IDENTIFICATION AND DATE CODES



ELECTRICAL DIAGRAM



TERMINAL REFERENCES



TRAY

SUITABLE FOR PANEL THICKNESS FROM 1.92 mm – 5 mm

