



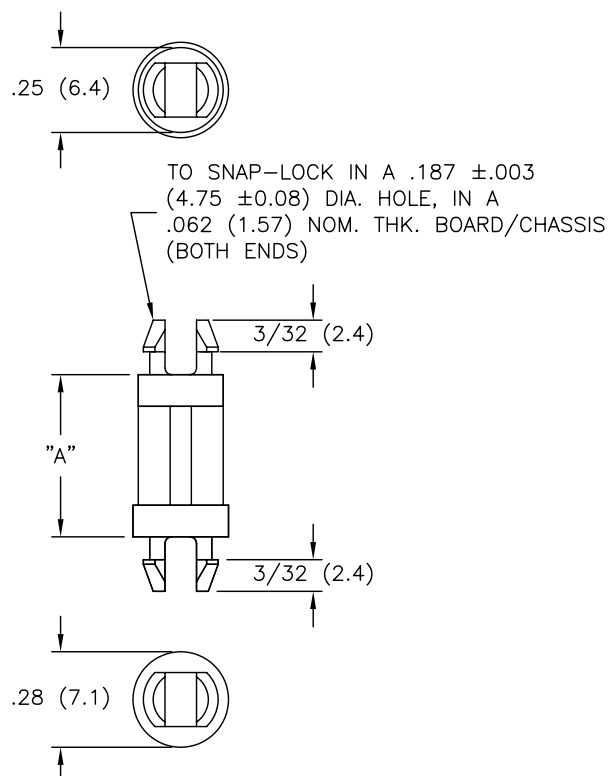
Excellent Integrated System Limited

Stocking Distributor

Click to view price, real time Inventory, Delivery & Lifecycle Information:

[Essentra Components \(formerly Richco, Inc.\)](#)
[SP2-6-01](#)

For any questions, you can email us directly:
sales@integrated-circuit.com



PART NO.	"A"
SP2-3-01	$\pm .015 (\pm 0.4)$
SP2-4-01	3/16 (4.8)
SP2-6-01	1/4 (6.4)
SP2-8-01	3/8 (9.5)
SP2-10-01	1/2 (12.7)
SP2-12-01	5/8 (15.9)
SP2-14-01	3/4 (19.1)
SP2-16-01	7/8 (22.2)
	1 (25.4)

NOTES:

- MATERIAL: NYLON 6/6 (RMS-01).
 FLAME RETARDANT: NYLON (RMS-19),
 AVAILABLE BY SPECIAL ORDER ONLY.
- COLOR: NATURAL.

A	CHANGED FILE NO. AND TITLE BLOCK	SM 02.04.02
REV	DESCRIPTION	ENGR DATE

TITLE: SUPPORT POST, TYPE 2					DWG IN IN (MM)	
TOLERANCES UNLESS NOTED .XX= $\pm .010$.XXX= $\pm .005$ FRAC=1/64 ANG=1°	FILE # SP2 MAT'L: SEE NOTES RE: RICHCO, INC.	DWN: P.B. DT: 03-11-01	APP: DT:	FINAL		PRINT TYPE CA
PART # SEET TABLE			RICHCO INC. PO BOX 804238, CHICAGO, 60680 (773) 539-4060			