

Excellent Integrated System Limited

Stocking Distributor

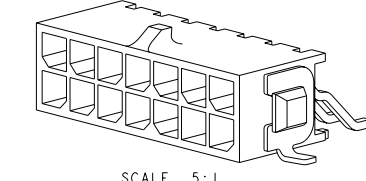
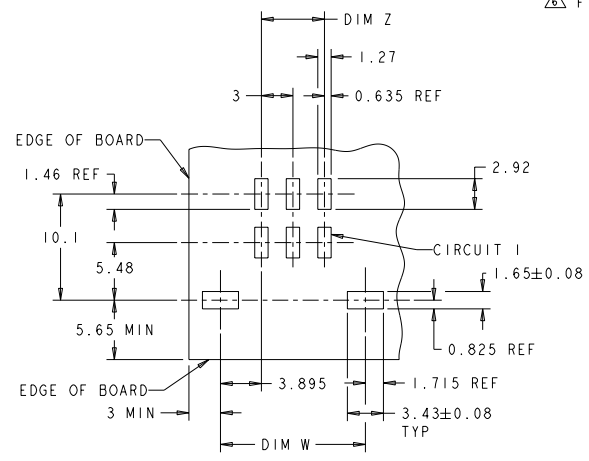
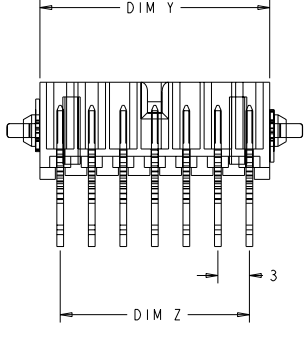
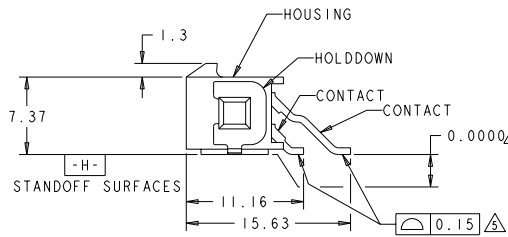
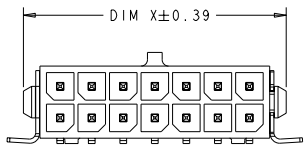
Click to view price, real time Inventory, Delivery & Lifecycle Information:

[TE Connectivity AMP Connectors](#)
[1-794627-4](#)

For any questions, you can email us directly:
sales@integrated-circuit.com

THIS DRAWING IS UNPUBLISHED. RELEASED FOR PUBLICATION
BY TYCO ELECTRONICS CORPORATION. ALL RIGHTS RESERVED.

LOC	QTY	REV	DESCRIPTION	DATE	BY	APPD
CM	00	P	LTR			
		G	REVISED PER 0638-0207-05	23-MAR-2005	SH	CJ



SCALE 5:1

METRIC

- △ MATERIAL:
CONTACTS - BRASS.
HOUSING - UL 94V-0 RATED HIGH TEMP NYLON,
COLOR: BLACK.
HOLD DOWNS - PHOSPHOR BRONZE.
- △ FINISH;
CONTACTS - 2.54µm MINIMUM TIN-LEAD OVER 1.27µm
MINIMUM NICKEL.
HOLD DOWNS - 2.54µm TIN-LEAD.
- △ DIMENSION APPLIES TO SOLDERTAIL SURFACES
AND STANDOFF SURFACES.
- △ RECOMMENDED PC BOARD THICKNESS OF 1.57.
- △ ALL SOLDERTAILS AND HOLD DOWNS.
- △ FINISH;
CONTACTS - 2.54µm MINIMUM MATTE TIN OVER 1.27µm
MINIMUM NICKEL.
HOLD DOWNS - 2.54µm MINIMUM MATTE TIN.

FINISH	DIM Y	DIM W	DIM Z	DIM X	NO. OF POSN.	ASSEMBLY
△	36.86	40.79	33.00	40.00	24	5-794627-4
△	33.86	37.79	30.00	37.00	22	5-794627-2
△	30.86	34.79	27.00	34.00	20	5-794627-0
△	27.86	31.79	24.00	31.00	18	4-794627-8
△	24.86	28.79	21.00	28.00	16	4-794627-6
△	21.86	25.79	18.00	25.00	14	4-794627-4
△	18.86	22.79	15.00	22.00	12	4-794627-2
△	15.86	19.79	12.00	19.00	10	4-794627-0
△	12.86	16.79	9.00	16.00	8	3-794627-8
△	9.86	13.79	6.00	13.00	6	3-794627-6
△	6.86	10.79	3.00	10.00	4	3-794627-4
△	3.86	7.79	-	7.00	2	3-794627-2
△	36.86	40.79	33.00	40.00	24	2-794627-4
△	33.86	37.79	30.00	37.00	22	2-794627-2
△	30.86	34.79	27.00	34.00	20	2-794627-0
△	27.86	31.79	24.00	31.00	18	1-794627-8
△	24.86	28.79	21.00	28.00	16	1-794627-6
△	21.86	25.79	18.00	25.00	14	1-794627-4
△	18.86	22.79	15.00	22.00	12	1-794627-2
△	15.86	19.79	12.00	19.00	10	1-794627-0
△	12.86	16.79	9.00	16.00	8	794627-8
△	9.86	13.79	6.00	13.00	6	794627-6
△	6.86	10.79	3.00	10.00	4	794627-4
△	3.86	7.79	-	7.00	2	794627-2

AMP Incorporated
Harrisburg, PA 17105-3600

DATE: 23-MAR-2005
DESIGNER: S. HOOPER
CHECKED: C. IONES
DATE: 23-MAR-2005
APP'D: C. IONES

PRODUCT SPEC: SURFACE MOUNT, RIGHT ANGLE, SURFACE MOUNT HOLD DOWN, ASSEMBLY, TIN HEADER, DUAL ROW, MICRO MATE-N-LOK (TM)

APPLICATION SPEC: -

WEIGHT: -

SIZE: A2 CASE CODE: 00779 DRAWING NO: 794627

RESTRICTED TO: -

SEE TABLE CUSTOMER DRAWING SCALE: 4:1 SHEET: 1 OF 1 REV: G