

## Excellent Integrated System Limited

Stocking Distributor

Click to view price, real time Inventory, Delivery & Lifecycle Information:

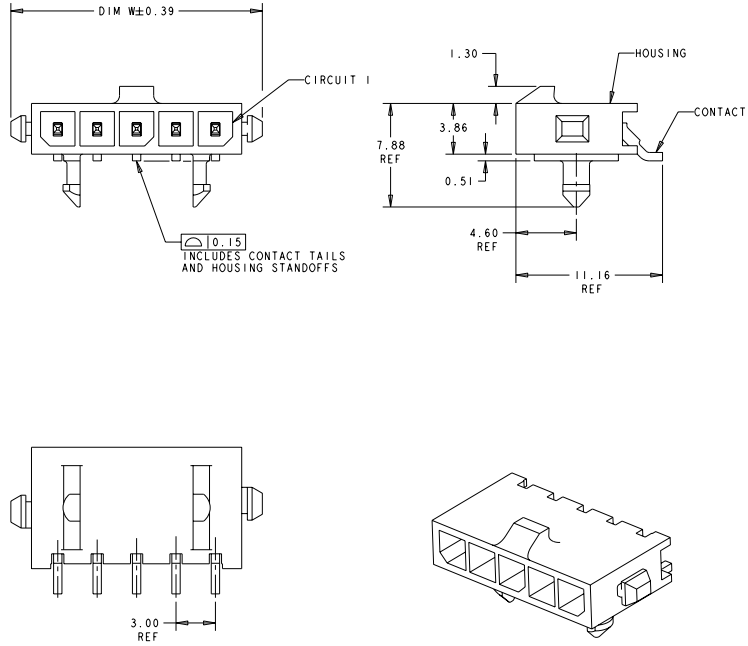
[TE Connectivity AMP Connectors  
1445058-2](#)

For any questions, you can email us directly:

[sales@integrated-circuit.com](mailto:sales@integrated-circuit.com)

THIS DRAWING IS UNPUBLISHED. RELEASED FOR PUBLICATION. COPYRIGHT 19 BY AMP INCORPORATED. ALL RIGHTS RESERVED.

LOC	QTY	REVISIONS	DATE	BY	APP'D
CM	00				
		DESCRIPTION			
		B REVISED PER 0638-0204-05	23MAY05	KW	CJ



- △ MATERIAL: CONTACTS - BRASS  
HOUSING - UL 94V-0 RATED HIGH TEMP NYLON, COLOR BLACK.
- △ PLATING: CONTACTS - 2.54µm MINIMUM TIN-LEAD OVER 1.27µm MINIMUM NICKEL.
- △ RECOMMENDED PC BOARD THICKNESS OF 1.57.
- △ PLATING: CONTACTS - 2.54µm MINIMUM MATTE TIN OVER 1.27µm MINIMUM NICKEL.

△	33.00	28.70	40.00	12	3-1445058-2
△	30.00	25.70	37.00	11	3-1445058-1
△	27.00	22.70	34.00	10	3-1445058-0
△	24.00	19.70	31.00	9	2-1445058-9
△	21.00	16.70	28.00	8	2-1445058-8
△	18.00	13.70	25.00	7	2-1445058-7
△	15.00	10.70	22.00	6	2-1445058-6
△	12.00	7.70	19.00	5	2-1445058-5
△	9.00	4.70	16.00	4	2-1445058-4
△	-	-	13.00	3	2-1445058-3
△	-	-	10.00	2	2-1445058-2
△	33.00	28.70	40.00	12	1-1445058-2
△	30.00	25.70	37.00	11	1-1445058-1
△	27.00	22.70	34.00	10	1-1445058-0
△	24.00	19.70	31.00	9	1445058-9
△	21.00	16.70	28.00	8	1445058-8
△	18.00	13.70	25.00	7	1445058-7
△	15.00	10.70	22.00	6	1445058-6
△	12.00	7.70	19.00	5	1445058-5
△	9.00	4.70	16.00	4	1445058-4
△	-	-	13.00	3	1445058-3
△	-	-	10.00	2	1445058-2

FINISH	DIM Z	DIM V	DIM W	NO. OF POSN	PART NUMBER
--------	-------	-------	-------	-------------	-------------

**METRIC**

<small>THIS DRAWING IS UNPUBLISHED. RELEASED FOR PUBLICATION. ALL RIGHTS RESERVED.</small> <small>© AMP INCORPORATED. ALL RIGHTS RESERVED.</small>		DIM J. ROOT DIM K. WHILLAKE DIM L. WHILLAKE DIM M. WHILLAKE DIM N. WHILLAKE DIM O. WHILLAKE DIM P. WHILLAKE DIM Q. WHILLAKE DIM R. WHILLAKE DIM S. WHILLAKE DIM T. WHILLAKE DIM U. WHILLAKE DIM V. WHILLAKE DIM W. WHILLAKE DIM X. WHILLAKE DIM Y. WHILLAKE DIM Z. WHILLAKE	DATE 02OCT2000 CDR 13-MAR-2001 DIMP 13-MAR-2001 DIMS 13-MAR-2001 DIMT 13-MAR-2001 DIMU 13-MAR-2001 DIMV 13-MAR-2001 DIMW 13-MAR-2001 DIMX 13-MAR-2001 DIMY 13-MAR-2001 DIMZ 13-MAR-2001	<b>AMP</b> Tyco Electronics Harrisburg, PA 17105-3608
DIMENSIONS: (mm) DIM J. ROOT DIM K. WHILLAKE DIM L. WHILLAKE DIM M. WHILLAKE DIM N. WHILLAKE DIM O. WHILLAKE DIM P. WHILLAKE DIM Q. WHILLAKE DIM R. WHILLAKE DIM S. WHILLAKE DIM T. WHILLAKE DIM U. WHILLAKE DIM V. WHILLAKE DIM W. WHILLAKE DIM X. WHILLAKE DIM Y. WHILLAKE DIM Z. WHILLAKE		TOLERANCES UNLESS OTHERWISE SPECIFIED: DIM J. ROOT ±.01 DIM K. WHILLAKE ±.01 DIM L. WHILLAKE ±.01 DIM M. WHILLAKE ±.01 DIM N. WHILLAKE ±.01 DIM O. WHILLAKE ±.01 DIM P. WHILLAKE ±.01 DIM Q. WHILLAKE ±.01 DIM R. WHILLAKE ±.01 DIM S. WHILLAKE ±.01 DIM T. WHILLAKE ±.01 DIM U. WHILLAKE ±.01 DIM V. WHILLAKE ±.01 DIM W. WHILLAKE ±.01 DIM X. WHILLAKE ±.01 DIM Y. WHILLAKE ±.01 DIM Z. WHILLAKE ±.01	NAME RT ANGLE SURFACE MOUNT HEADER ASSY. TIN CONTACTS W/PLASTIC HOLDDOWNS, SINGLE ROW, MICRO MATE-N-LOK™ APPLICATION SPEC SIZE A2 CASE CODE 00779 DRAWING NO. 1445058 SCALE 5:1 SHEET 1 OF 2 REV B	MATERIAL △ FINISH SEE TABLE WEIGHT CUSTOMER DRAWING

