

Excellent Integrated System Limited

Stocking Distributor

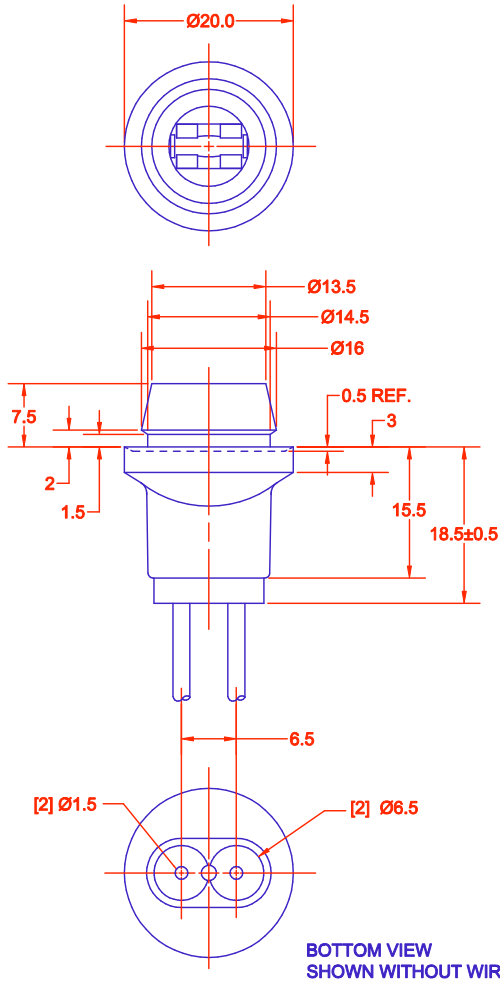
Click to view price, real time Inventory, Delivery & Lifecycle Information:

[JKL Components Corporation](#)
[2964](#)

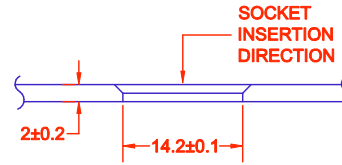
For any questions, you can email us directly:

sales@integrated-circuit.com

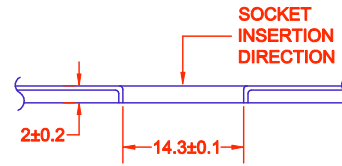
REV.	DESCRIPTION/ECO NO.	DATE
	RELEASED AS CAD	9/11/02



PLASTIC PANEL



METAL PANEL



BASE COLOR: GRAY

METRIC THIRD ANGLE PROJECTION	DIMENSIONS ARE IN MILLIMETERS TOLERANCE UNLESS OTHERWISE SPECIFIED 1 PL +/- 0.2 2 PL +/- 0.20 ANGLE +/- 0	JKL COMPONENTS CORPORATION			
	DRAWN BY L. WENGSTROM	APPVD BY J.K.	DATE 9/11/02	SIZE A	FSCM NO. 55335
- CAD DRAWING - MANUAL REVISIONS NOT PERMITTED			SCALE NONE	RELEASED DATE 9/11/02	REVISION DATE
				REV. NO.	SHEET 1 OF 1