



## Excellent Integrated System Limited

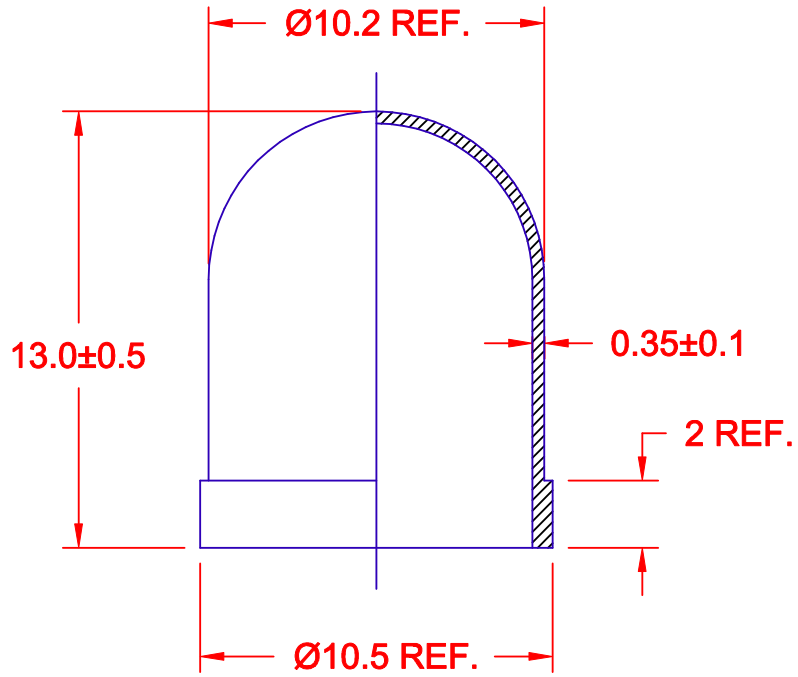
Stocking Distributor

Click to view price, real time Inventory, Delivery & Lifecycle Information:

[JKL Components Corporation](#)  
[39-12-1A](#)

For any questions, you can email us directly:

[sales@integrated-circuit.com](mailto:sales@integrated-circuit.com)



JKL PART NUMBER	COLOR
39-12-1*	RED
39-12-2*	ORANGE
39-12-3*	YELLOW
39-12-4*	GREEN
39-12-5*	BLUE
39-12-6*	BLUE-WHITE
39-12-7*	WHITE

\*TO BE DETERMINED

<p>THIRD ANGLE PROJECTION</p>	<p><b>METRIC</b></p>	<p>DIMENSIONS ARE IN MILLIMETERS</p>	<p><b>JKL COMPONENTS CORPORATION</b></p>			
	<p>TOLERANCE UNLESS OTHERWISE SPECIFIED</p> <p>1 PL +/- 0.2</p> <p>2 PL +/- 0.20</p> <p>ANGLE +/-</p>	<p>TITLE</p> <p><b>T-3 1/4 LAMP FILTER</b></p>				
<p>DRAWN BY</p> <p>L. WENGSTROM</p>	<p>APPV'D BY</p> <p>ED</p>	<p>DATE</p> <p>1/16/01</p>	<p>SIZE</p> <p><b>A</b></p>	<p>FSCM NO.</p> <p><b>55335</b></p>	<p>DRAWING NO.</p> <p><b>FILTER 39-12</b></p>	
<p>RELEASED</p>	<p>1/16/01</p>	<p>- CAD DRAWING -</p> <p>MANUAL REVISIONS NOT PERMITTED</p>	<p>SCALE</p> <p><b>NONE</b></p>	<p>RELEASED DATE</p> <p>1/16/01</p>	<p>REVISION DATE</p>	
<p>REV. NO.</p>	<p>DESCRIPTION/ECO NUMBER</p>	<p>APPV'D DATE</p>	<p>REV. NO.</p>	<p>SHEET</p> <p>1 OF 1</p>		