

Excellent Integrated System Limited

Stocking Distributor

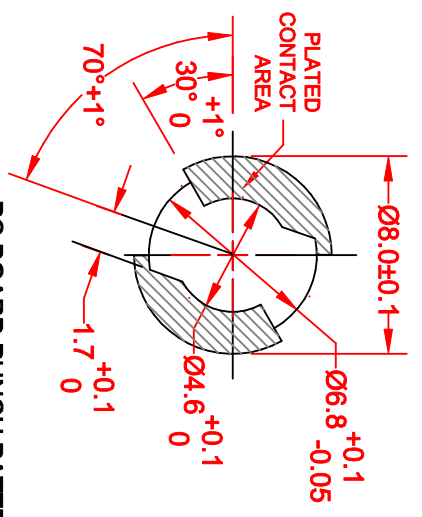
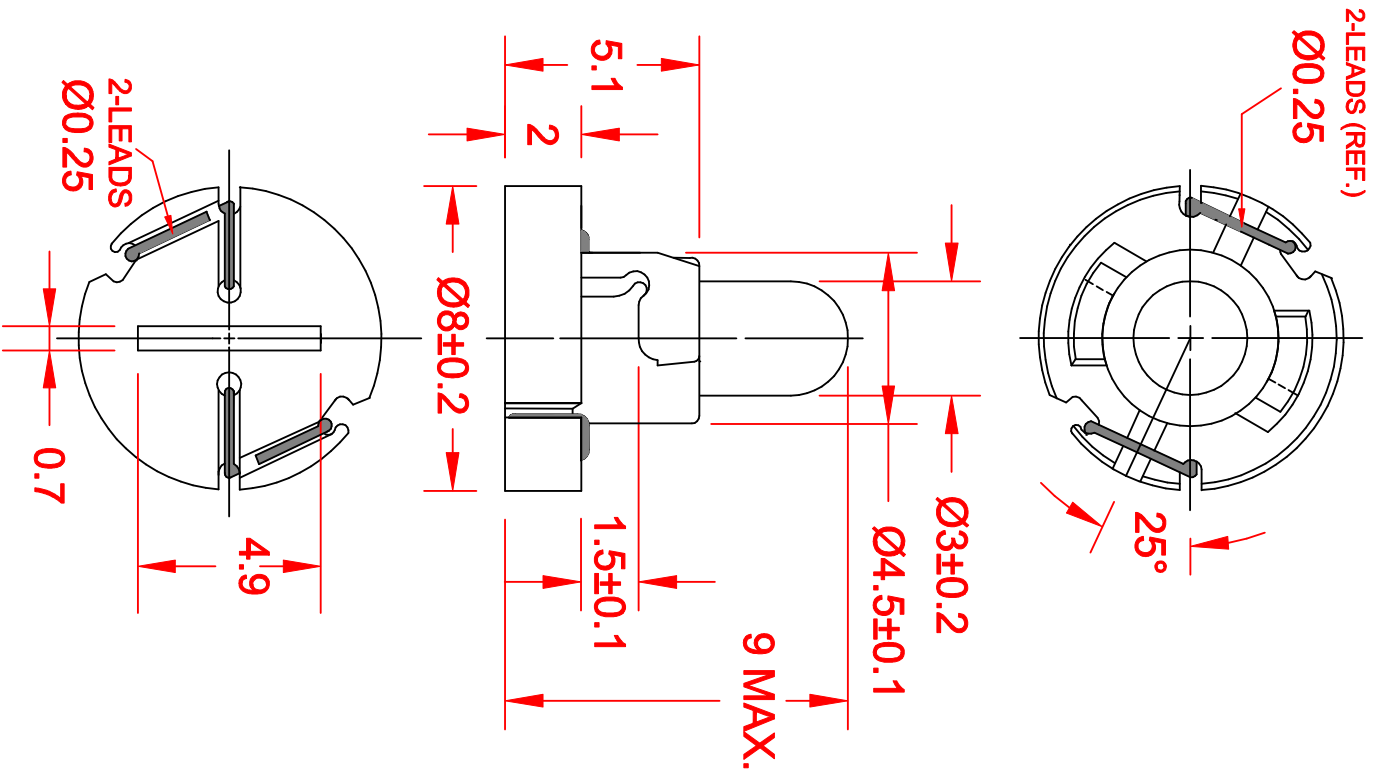
Click to view price, real time Inventory, Delivery & Lifecycle Information:

[JKL Components Corporation](#)

[CNW1-23](#)

For any questions, you can email us directly:

sales@integrated-circuit.com



PC BOARD PUNCH PATTERN
(NO TREATMENT SUCH AS APPLICATION OF FLUX, SHALL BE DONE.)

REV.	DESCRIPTION/ECO NO.	DATE
	RELEASED	8/83
A	9.0 TO 9.0 MAX.	9/84
B	8.0 TO 8.0±0.1 AND 1.5±.05 TO 1.5±0.1	1/85
C	4.5 TO 4.5±0.1	2/6/98
D	DRAWING CONVERTED TO CAD-ADD LAMPS CW1240.	1/1/00
E	8111, CW11, CW145	
F	CNWX1-7219 C-2F TO C-2V DEGREE DIM. CORRECT. TO 3/14/01	7/12/00
	PC PATTERN	

JKL LAMP NUMBER	VOLTS RATED	AMPS ±10%	*MSCP ±25%	*LUMENS ±25%	AVERAGE LIFE HRS.	FILAMENT TYPE
CNW1-8732	2.5	.100	.100	1.25	10,000	C-2R
CNW1-CW27	5.0	.040	.028	0.35	20,000	C-2R
CNW1-683	5.0	.060	.050	0.63	100,000	C-2R
CNW1-715	5.0	.115	.150	1.89	40,000	C-2R
CNW1-7218	10.0	.027	.100	1.26	10,000	C-2F
CNW1-CW44	12.0	.040	.090	1.13	10,000	C-2F
CNW1-7219	12.0	.060	.150	1.89	16,000	C-2V
CNW1-CW1240	14.0	.040	.120	1.51	16,000	C-2F
CNW1-23	14.0	.040	.150	1.89	16,000	C-2F
CNW1-8111	14.0	.065	.150	1.89	16,000	C-2F
CNW1-CW11	14.0	.065	.200	2.51	10,000	C-2F
CNW1-CW145	14.5	.030	.080	1.00	5,000	C-2F
CNW1-7220	18.0	.026	.150	1.89	16,000	C-2F
CNW1-6838	28.0	.024	.150	1.89	16,000	CC-2F

*LAMP RATED ONLY WITHOUT BASE

METRIC	DIMENSIONS ARE IN MILLIMETERS	JKL COMPONENTS CORPORATION	
THIRD ANGLE PROJECTION	TOLERANCE UNLESS OTHERWISE SPECIFIED 1 PL +/- 0.2 2 PL +/- 0.20 ANGLE +/- 0		
DRAWN BY L. WENGSTROM	APPROVED BY E. D.	DATE 3/14/01	TITLE T-1 NEO-WEDGE BASE WITH MULTIPLE LAMP LISTING
- CAD DRAWING - MANUAL REVISIONS NOT PERMITTED	SCALE NONE	SIZE A	REV. F
		55335	1 OF 1
		DRAWING NO. CNW1-MULTI	SHEET
		RELEASED DATE 8/83	
		REVISION DATE 3/14/01	