

Excellent Integrated System Limited

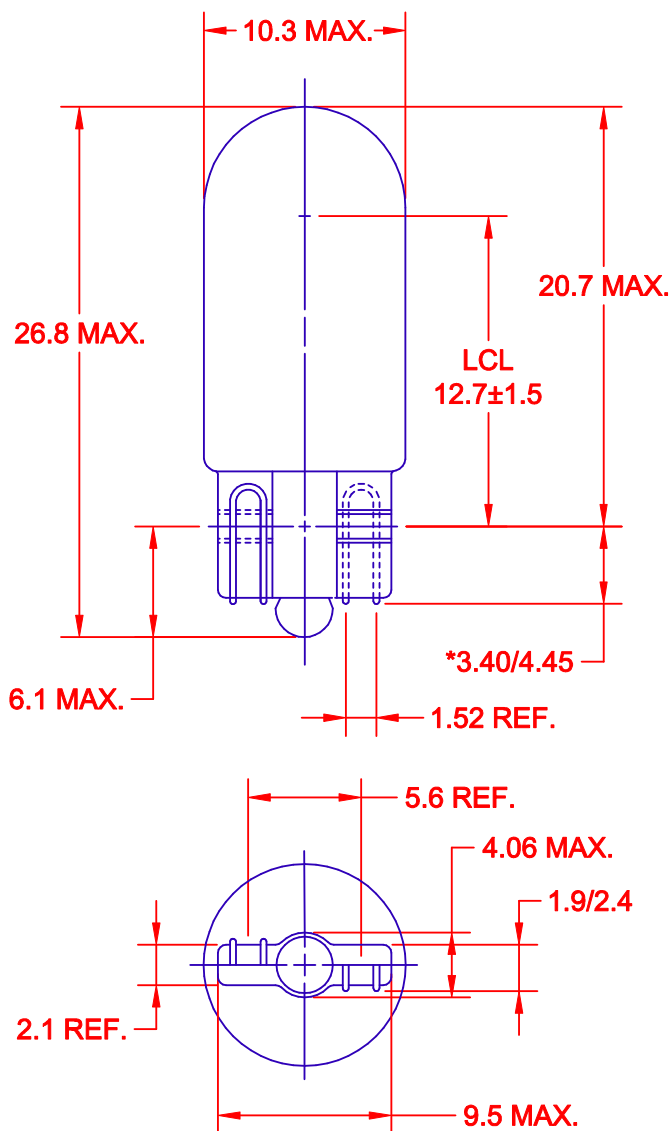
Stocking Distributor

Click to view price, real time Inventory, Delivery & Lifecycle Information:

[JKL Components Corporation](#)
[XE112](#)

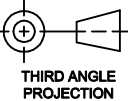
For any questions, you can email us directly:

sales@integrated-circuit.com



*TO BE MEASURED ON LONGEST SIDE ONLY WITH THE WIRE IN INTIMATE CONTACT WITH THE BOTTOM OF THE GLASS WEDGE.

JKL LAMP NUMBER	VOLTS RATED	AMPS ±10%	MSCP ±25%	LUMENS ±25%	AVERAGE LIFE HRS.	FILAMENT TYPE	GAS TYPE.
Xe112	12.0	.270	3.00	37.66	1,000	C-2V	Xe

METRIC  THIRD ANGLE PROJECTION		DIMENSIONS ARE IN MILLIMETERS TOLERANCE UNLESS OTHERWISE SPECIFIED 1 PL +/- 2 PL +/- ANGLE +/-		JKL COMPONENTS CORPORATION TITLE T-3 1/4 WEDGE BASED LAMP WITH Xe GAS					
DRAWN BY L. WENGSTROM		APPV'D BY DATE F.D. 6/27/01		SIZE A	FSCM NO. 55335	DRAWING NO. Xe112			
REV. NO.	DESCRIPTION/ECO NUMBER	APPV'D DATE	- CAD DRAWING - MANUAL REVISIONS NOT PERMITTED		SCALE NONE	RELEASED DATE 6/27/01	REVISION DATE	REV. NO.	SHEET 1 of 1

RELEASED AND CANCEL P-0105-15		6/27/01
REV. NO.	DESCRIPTION/ECO NUMBER	APPV'D DATE