

Excellent Integrated System Limited

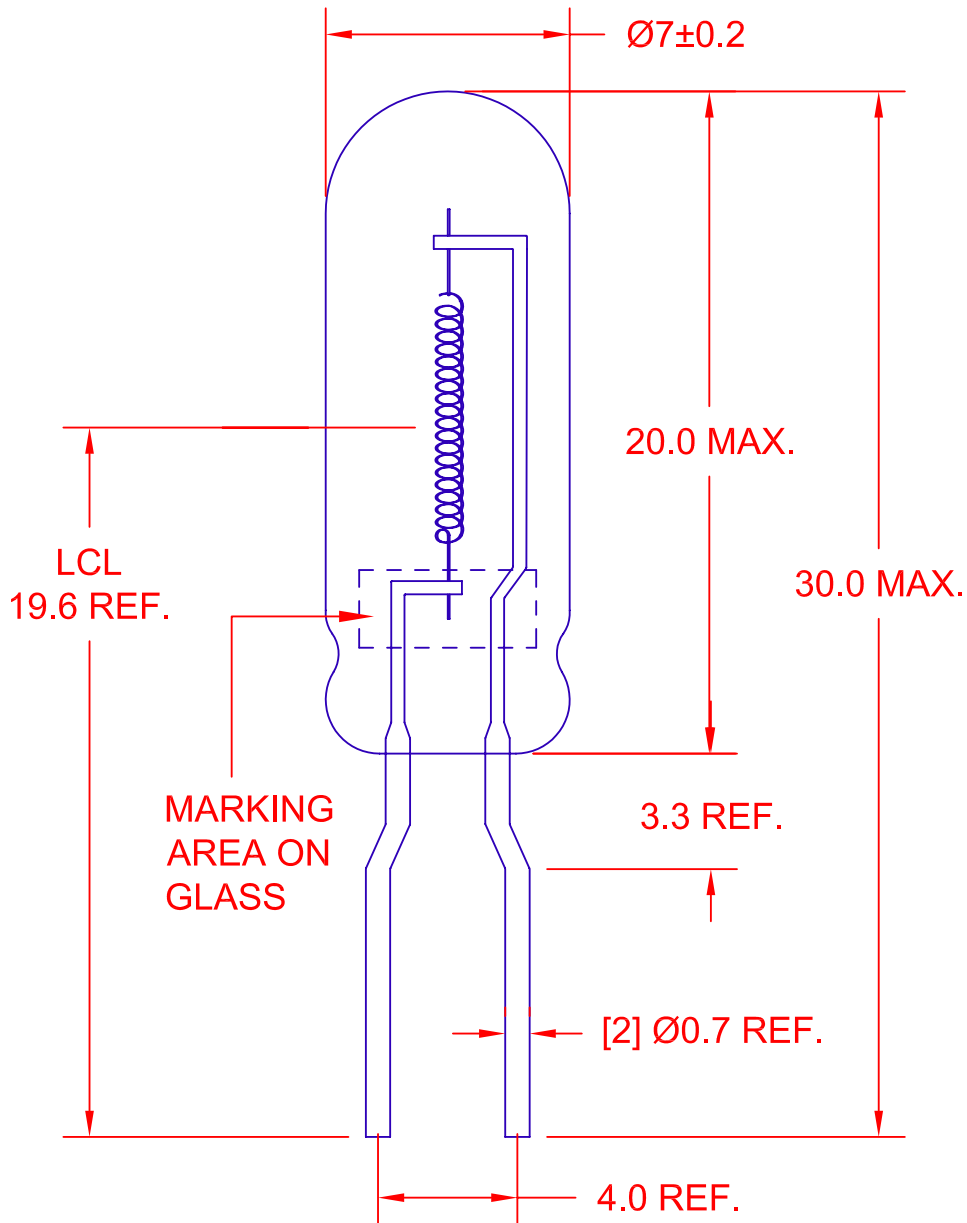
Stocking Distributor

Click to view price, real time Inventory, Delivery & Lifecycle Information:

[JKL Components Corporation](#)
[XE2410](#)

For any questions, you can email us directly:

sales@integrated-circuit.com



JKL PART NO.: Xe2410

JKL LAMP NUMBER	VOLTS (V)	AMPS (mA)	WATTS (W)	LUMENS (Lm)	MSCP (CP)	EFFICIENCY (Lm/W)	LIFE HOURS	FILAMENT TYPE	MARKING
Xe2410	24.0	417	10.0	95	7.6	9.5	10,000	C-8	24V 10W

XENON GAS FILLED LAMP

<p>METRIC</p> <p>THIRD ANGLE PROJECTION</p>		<p>DIMENSIONS ARE IN MILLIMETERS</p> <p>TOLERANCE UNLESS OTHERWISE SPECIFIED</p> <p>1 PL +/- 0.2</p> <p>2 PL +/- 0.1</p> <p>ANGLE +/-</p>		<p>JKL COMPONENTS CORPORATION</p>							
<p>DRAWN BY</p> <p>L. WENGSTROM</p>		<p>APPV'D BY DATE</p> <p>L.R. 11/14/06</p>		<p>SIZE</p> <p>A</p>		<p>FSCM NO.</p> <p>55335</p>		<p>DRAWING NO.</p> <p>Xe2410</p>		<p>TITLE</p> <p>T-7 XENON GAS FILLED BI-PIN LAMP</p>	
<p>CANCEL P-9907-14 & RELEASE TO CAD</p>		<p>11/14/06</p>		<p>SCALE</p> <p>NONE</p>		<p>RELEASED DATE</p> <p>11/14/06</p>		<p>REVISION DATE</p>		<p>REV. NO.</p>	
<p>REV. NO.</p>		<p>DESCRIPTION/ECO NUMBER</p>		<p>APPV'D DATE</p>		<p>- CAD DRAWING -</p> <p>MANUAL REVISIONS NOT PERMITTED</p>		<p>SCALE</p>		<p>SHEET</p> <p>1 of 1</p>	