

Excellent Integrated System Limited

Stocking Distributor

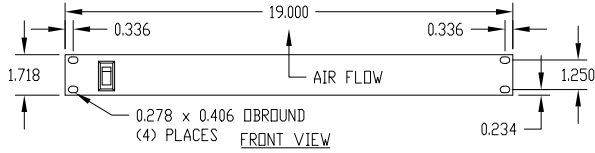
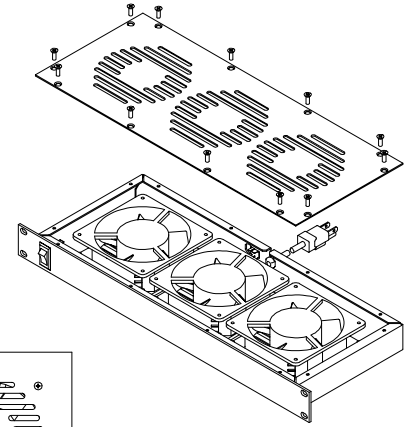
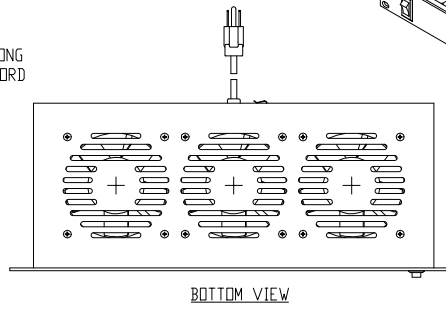
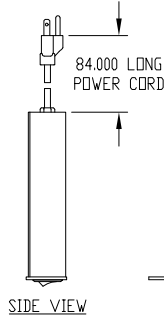
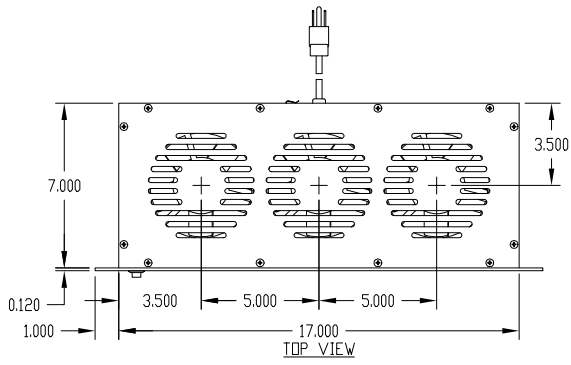
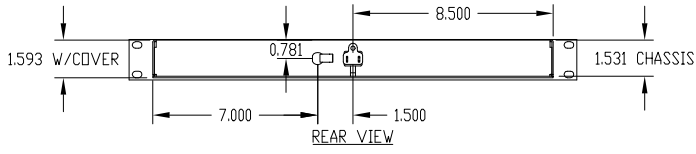
Click to view price, real time Inventory, Delivery & Lifecycle Information:

[BUD Industries, Inc.](#)
[FT-1973](#)

For any questions, you can email us directly:

sales@integrated-circuit.com

PART NAME	FAN TRAY ASSEMBLY (3) FANS	PART No.	FT-1973	REV. DATE
-----------	----------------------------	----------	---------	-----------



MATERIAL:

CHASSIS & COVER _____ 16 GA. STEEL
FRONT PANEL _____ 11 GA. STEEL

FAN HOUSING: ONE-PIECE ZINC DIE CASTING
IMPELLER: THERMOPLASTIC (UL-94-V0)

FINISH: SMOOTH BLACK

UNIT SUPPLIED FULLY ASSEMBLED.

POWER	CFM	WATTS	TEMP. RANGE
115 V.A.C.	105	19/17	-20°C. TO +60°C.