

## Excellent Integrated System Limited

Stocking Distributor

Click to view price, real time Inventory, Delivery & Lifecycle Information:

[Cinch Connectivity Solutions](#)  
[CP-AD511](#)

For any questions, you can email us directly:  
[sales@integrated-circuit.com](mailto:sales@integrated-circuit.com)



Description: Adapter BNC Plug to Plug  
 Part No: 27-8130  
 Application: Adapter  
 Crimp Tool: N/A  
 Impedance: 50 Ohms  
 Frequency Range: 0-4 GHz  
 Material: Body Brass Nickel Plated  
 Contact Brass Gold Plated  
 Insulator Derlin  
 Crimp Sleeve Brass Nickel Plated  
 Coupling Nut Zinc Nickel Plated  
 RoHS Compliance: Yes  
 Technical Detail: Refer to Emerson Document P/N 27-0000

DRAWING NO.  
27-8130-CUST

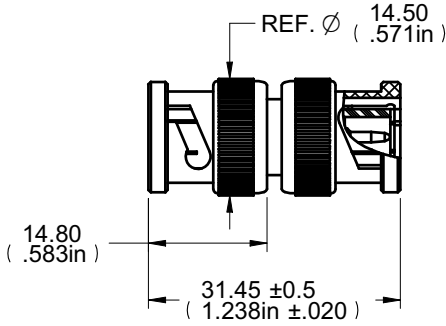
**REVISIONS**

01	OFFICAL RELEASE			
08-25-09	T	W	S	T

*Betty* 20080808  
27-8130-CUST  
128000

**CUSTOMER COPY**

受控 CONTROLLED DOCUMENT				
编号 P/N	27-8120-CUST	版本 Rev	01	日期 Rel'd Date
				SEP 14,09



**DIM OUTLINE**

TOLERANCE UNLESS OTHERWISE SPECIFIED		DRAWN BY	DATE
DECIMALS	mm	TERRY.W	08-25-09
X	± 0.5	CHECKED BY	DATE
X.X	± 0.3	TERRY.W	08-25-09
X.XX	± 0.1	APPROVED BY	DATE
ANGLES	± 0.5°	THOMAS	08-25-09
		U/M	mm

**cinch**  
CONNECTIVITY SOLUTIONS  
a bel group

TITLE  
**ADAPTER BNC PLUG TO PLUG**

SHEET 1 OF 1 DRAWING NO. 27-8130-CUST SIZE A

THIS DRAWING WAS PRODUCED BY COMPUTER, DO NOT SCALE DRAWING OR UPDATE MANUALLY.