

## Excellent Integrated System Limited

Stocking Distributor

Click to view price, real time Inventory, Delivery & Lifecycle Information:

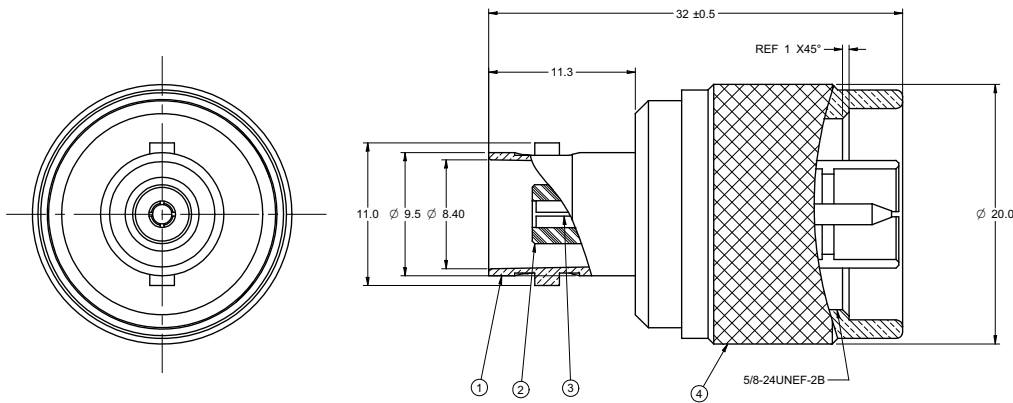
[Cinch Connectivity Solutions](#)  
[26-8016](#)

For any questions, you can email us directly:

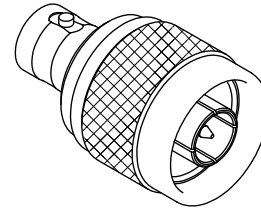
[sales@integrated-circuit.com](mailto:sales@integrated-circuit.com)

ITEM ① PART NUMBER 26-8016	ITEM ② BODY BRASS NICKEL PLATED	ITEM ③ CONTACT BERYLLIUM NICKEL PLATED	ITEM ④ INSULATOR TPX	ITEM ⑤ CUPLING NUT ZINC NICKEL PLATED
----------------------------------	--	---	----------------------------	--

DRAWING NO. 26-8016	
REVISIONS	
01	OFFICIAL RELEASE 08-28-09



受控 CONTROLLED DOCUMENT					
编号 P/N	26-9016	版本 Rev	01	日期 Rel'd Date	SEP 14, 09



NOTES:

1. IMPEDANCE: 50 OHMS NOMINAL
2. FREQUENCY RANGE: 0-4 GHz
3. PRODUCT SHOULD BE RoHS COMPLIANCE
4. TECHNICAL DETAIL: REFER TO EMERSON DOCUMENT P/N 26-0000&27-0000.

THIS DRAWING TO BE INTERPRETED PER ANSI Y 14.5M - 1994

COMPANY CONFIDENTIAL

TOLERANCE UNLESS OTHERWISE SPECIFIED	DRAWN BY LINDA WU	DATE 08-28-09	<p><b>EMERSON</b> Connectivity Solutions</p>
DECIMALS	CHECKED BY TERRY W	DATE 08-28-09	
X	APPROVED BY THOMAS	DATE 08-28-09	
X.X			
X.XX			
ANGLES	U/M	mm	
THIS DRAWING WAS PRODUCED BY COMPUTER. DO NOT SCALE DRAWING OR UPDATE MANUALLY.			SHEET 1 OF 1 DRAWING NO. 26-8016 SIZE C