

## Excellent Integrated System Limited

Stocking Distributor

Click to view price, real time Inventory, Delivery & Lifecycle Information:

[Energizer Battery Company](#)  
[CR1632VP](#)

For any questions, you can email us directly:

[sales@integrated-circuit.com](mailto:sales@integrated-circuit.com)

**PRODUCT DATASHEET**



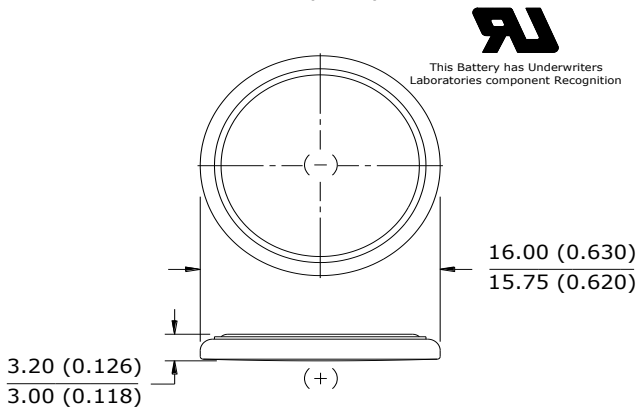
1-800-383-7323 USA/CAN  
 www.energizer.com

**ENERGIZER CR1632**

**Lithium Coin**



**Industry Standard Dimensions**  
mm (inches)



<b>Classification:</b>	"Lithium Coin"
<b>Chemical System:</b>	Lithium / Manganese Dioxide (Li/MnO <sub>2</sub> )
<b>Nominal Voltage:</b>	3.0 Volts
<b>Typical Capacity:</b>	130 mAh (to 2.0 volts) (Rated at 15K ohms at 21°C)
<b>Typical Weight:</b>	1.8 grams (0.06 oz.)
<b>Typical Volume:</b>	0.5 cubic centimeters (0.03 cubic inch)
<b>Max Rev Charge:</b>	1 microampere
<b>Energy Density:</b>	209 milliwatt hr/g, 754 milliwatt hr/cc
<b>Typical Li Content:</b>	0.036 grams (0.0013 oz.)
<b>UL Recognized:</b>	MH29980
<b>Operating Temp:</b>	-30C to 60C
<b>Self Discharge:</b>	~1% / year

**Specifications**

**Safety:**



**(1) KEEP OUT OF REACH OF CHILDREN.** Swallowing may lead to serious injury or death in as little as 2 hours due to chemical burns and potential perforation of the esophagus. **Immediately see doctor; have doctor phone (202) 625-3333.**

**(2) Battery compartment design.** To prevent children from removing batteries, battery compartments should be designed with one of the following methods: a) a tool such as screwdriver or coin is required to open battery compartment or b) the battery compartment door/cover requires the application of a minimum of two independent and simultaneous movements of the securing mechanism to open by hand. Screws should remain captive with the battery door or cover.

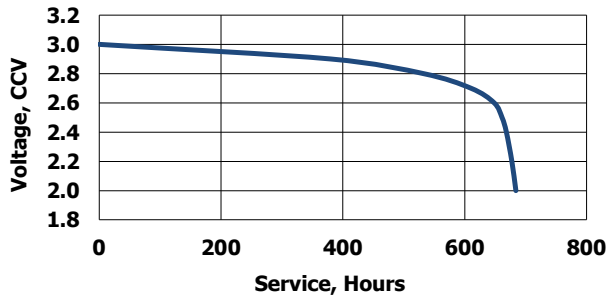
**Simulated Application test**

Typical Performance at 21°C (70°F)

Schedule:	Typical Drains: at 2.9V (mA)	Load (ohms)	Cutoff 2.0V (hours)
Continuous	0.19	15,000	684

**Typical Discharge Characteristics**

Load: 15K ohms - Continuous  
 Typical Drain @ 2.9V: 0.19 mA

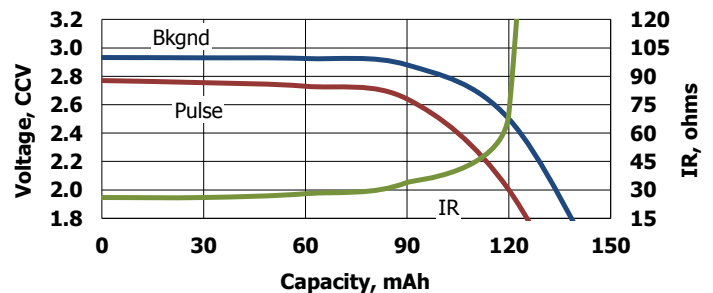


**Internal Resistance Characteristics**

Pulse Test at 21°C (70°F)

**Bkgnd Drain:** Continuous  
 15K ohms  
 0.19 mA @2.9V

**Pulse Drain:** 2 seconds X 12 times/day  
 400 ohms  
 6.8 mA @2.7V



**Important Notice**

This datasheet contains typical information specific to products manufactured at the time of its publication.  
 ©Energizer Holdings, Inc. - Contents herein do not constitute a warranty.