

## Excellent Integrated System Limited

Stocking Distributor

Click to view price, real time Inventory, Delivery & Lifecycle Information:

[BUD Industries, Inc.](#)  
[CU-3286](#)

For any questions, you can email us directly:

[sales@integrated-circuit.com](mailto:sales@integrated-circuit.com)

PART NAME	UTILIBOX (STYLE A)	PART No.	CU-3286 & CU-3286-MB CUR-3286 & CUR-3286-MB CUR-3286-C & CUR-3286-CMB	REV. DATE	9-2-10
-----------	--------------------	----------	---	-----------	--------

**MATERIAL:**

**BODY AND STANDARD COVERS**

ABS THERMOPLASTIC (FLAMMABILITY RATING UL94-5VA)

**RECESSED COVERS (CUR-)**

ABS THERMOPLASTIC (FLAMMABILITY RATING UL94-5VA)

**CLEAR COVERS (-C)**

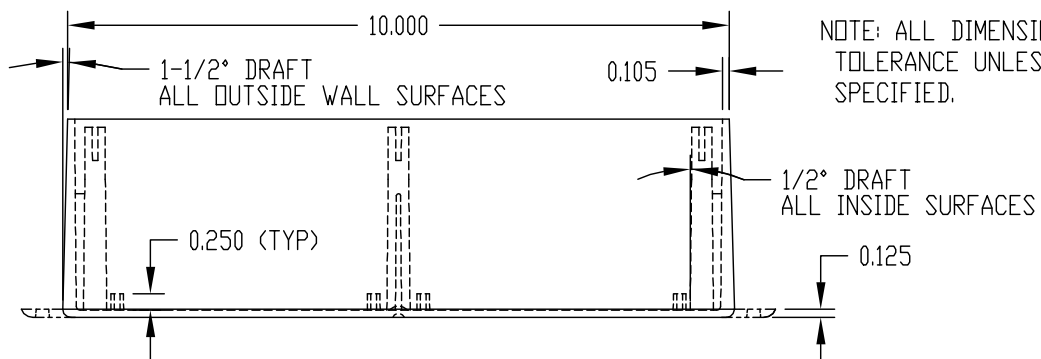
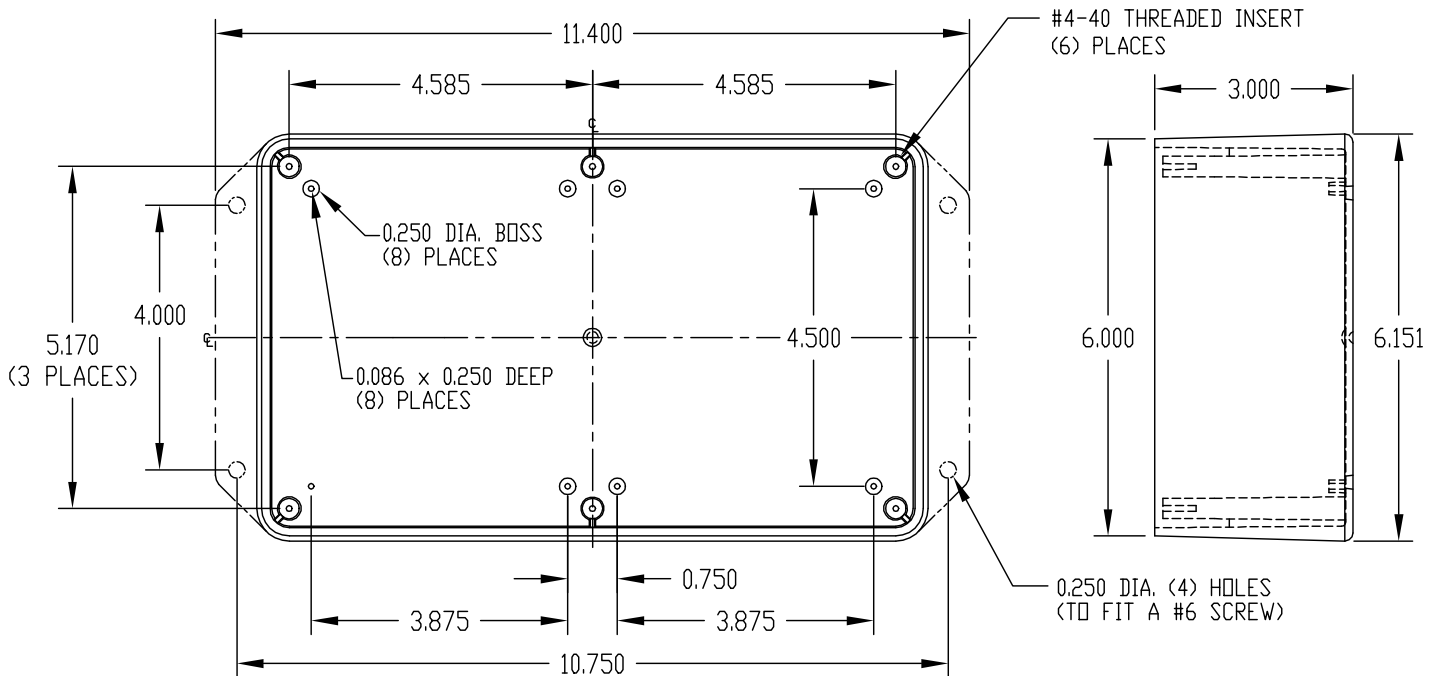
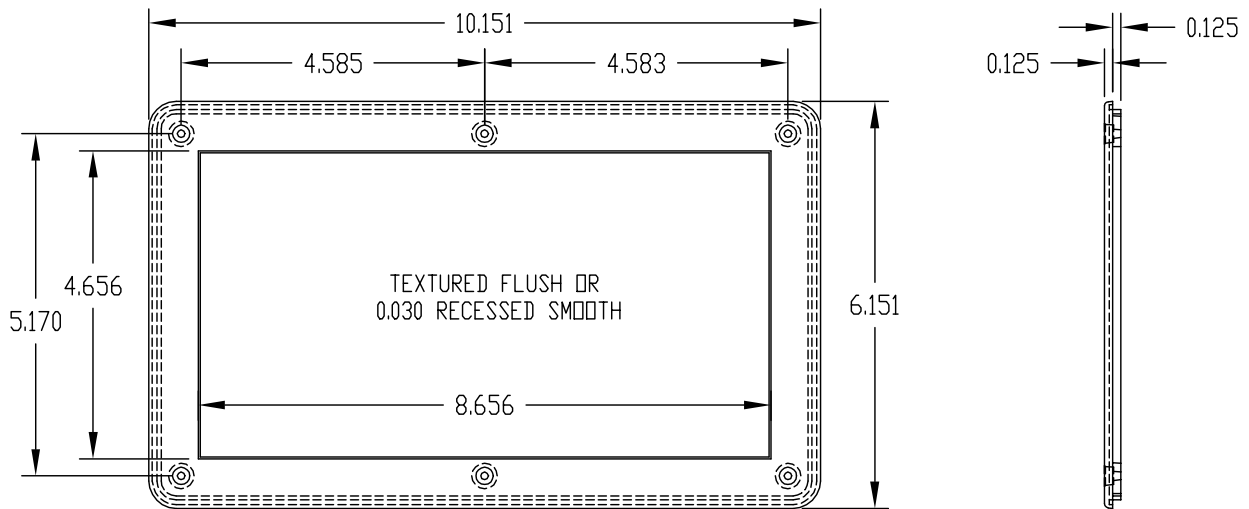
ABS THERMOPLASTIC (FLAMMABILITY RATING UL94V-2)

**FINISH**

BODY AND STANDARD COVERS ARE BLACK TEXTURED  
RECESSED (CUR-) AND CLEAR COVERS (-C) ARE SMOOTH FINISH

SIX (6) #4-40 x 0.500" LG. SCREWS  
SUPPLIED FOR ASSEMBLING COVER  
TO BODY

MOUNTING BOSSES USE EITHER M2.5  
METRIC OR #4 STD. SHEET METAL  
SCREWS x 0.250" LG.  
(NOT SUPPLIED)



NOTE: ALL DIMENSIONS HAVE ±0.010 TOLERANCE UNLESS OTHERWISE SPECIFIED.