

Excellent Integrated System Limited

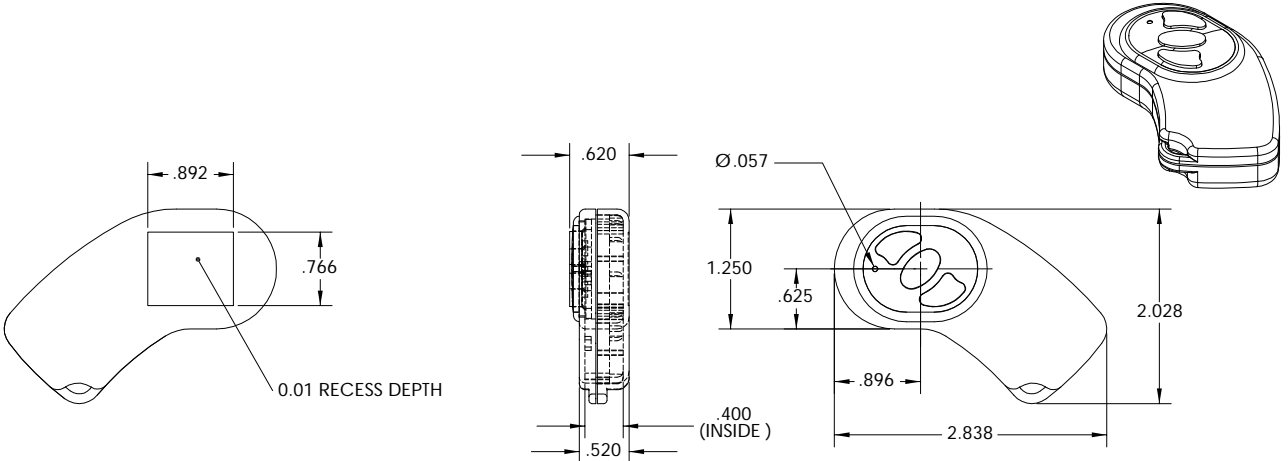
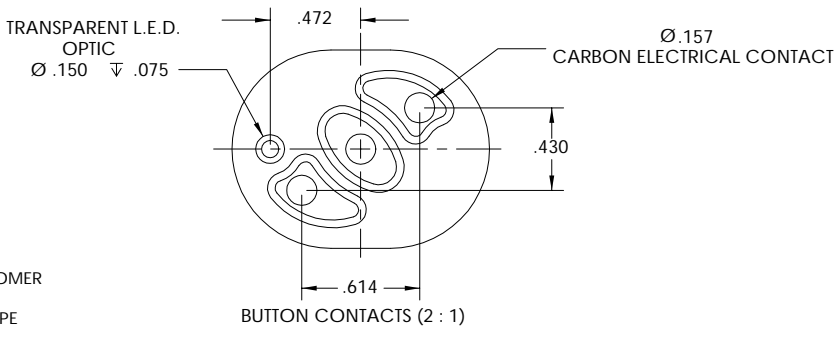
Stocking Distributor

Click to view price, real time Inventory, Delivery & Lifecycle Information:

[BUD Industries, Inc.](#)
[HH-3503](#)

For any questions, you can email us directly:

sales@integrated-circuit.com

PART NAME	3 BUTTON GRABBER	PART No.	HH - 3503	REV. DATE	10-29-08
					
<p>NOTES:</p> <ol style="list-style-type: none"> ALL DIMENSIONS ARE IN INCHES MATERIAL: BODY & COVER - ABS (UL94-HB) BUTTON - SILICONE RUBBER FINISH: BODY & COVER - TEXTURED BUTTON - SMOOTH COLOR: BODY & COVER - BLACK BUTTON - GRAY PCB IS NOT INCLUDED. TO BE SUPPLIED BY CUSTOMER SUGGESTED BATTERY TYPE: 20 MM COIN CELL TYPE 					
 <p>TRANSPARENT L.E.D. OPTIC Ø .150 ± .075</p> <p>Ø.157 CARBON ELECTRICAL CONTACT</p> <p>Ø.057</p> <p>1.250</p> <p>.625</p> <p>.896</p> <p>2.838</p> <p>2.028</p> <p>.400 (INSIDE)</p> <p>.520</p> <p>.620</p> <p>.892</p> <p>.766</p> <p>0.01 RECESS DEPTH</p> <p>.472</p> <p>.430</p> <p>.614</p> <p>BUTTON CONTACTS (2 : 1)</p>					