

Excellent Integrated System Limited

Stocking Distributor

Click to view price, real time Inventory, Delivery & Lifecycle Information:

[STMicroelectronics](#)
[TDA7393](#)

For any questions, you can email us directly:
sales@integrated-circuit.com



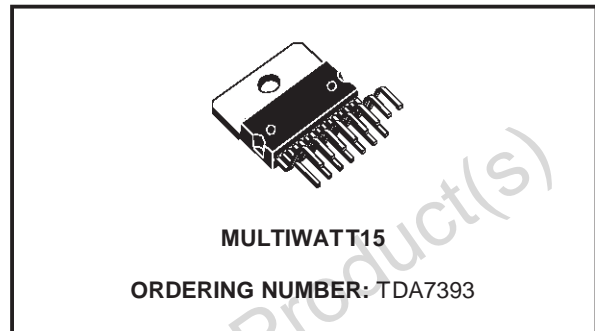
TDA7393

2 x 32W DUAL BRIDGE CAR RADIO AMPLIFIER

- HIGH OUTPUT POWER CAPABILITY:
 - 2 x 35W max./4Ω
 - 2 x 32W EIAJ/4Ω
 - 2 x 22W typ./4Ω @ 14.4V, 1KHz, 10%
 - 2 x 19W typ./4Ω @ 13.2V, 1KHz, 10%
 - 2 x 28W typ./2Ω @ 14.4V, 1KHz, 10%
 - 2 x 25W typ./2Ω @ 13.2V, 1KHz, 10%
- LOW DISTORTION
- LOW OUTPUT NOISE
- ST-BY FUNCTION
- MUTE FUNCTION
- AUTO-MUTE AT MIN. SUPPLY VOLTAGE DETECTION
- LOW EXTERNAL COMPONENT COUNT
 - INTERNALLY FIXED GAIN (32dB)
 - NO EXTERNAL COMPENSATION
 - NO BOOTSTRAP CAPACITORS
- ADDITIONAL MONO INPUT

PROTECTIONS:

- OUTPUT AC/DC SHORT CIRCUIT TO GND AND TO V_S
- VERY INDUCTIVE LOADS
- OVERRATING CHIP TEMPERATURE WITH SOFT THERMAL LIMITER

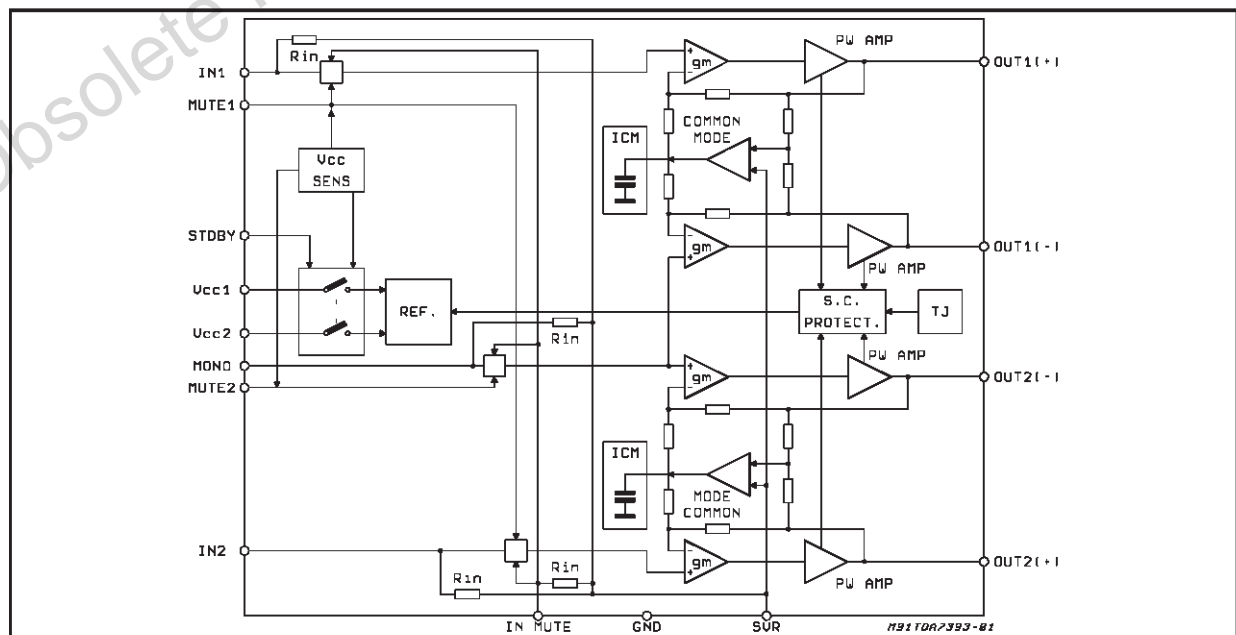


- LOAD DUMP VOLTAGE
- FORTUITOUS OPEN GND
- REVERSE BATTERY
- ESD PROTECTION

DESCRIPTION

The TDA7393 is a new technology class AB Audio Power Amplifier in Multiwatt15 package designed for high end car radio applications. Thanks to the fully complementary PNP/NPN output configuration the high power performances of the TDA7393 are obtained without bootstrap capacitors. The extremely reduced components count

BLOCK DIAGRAM



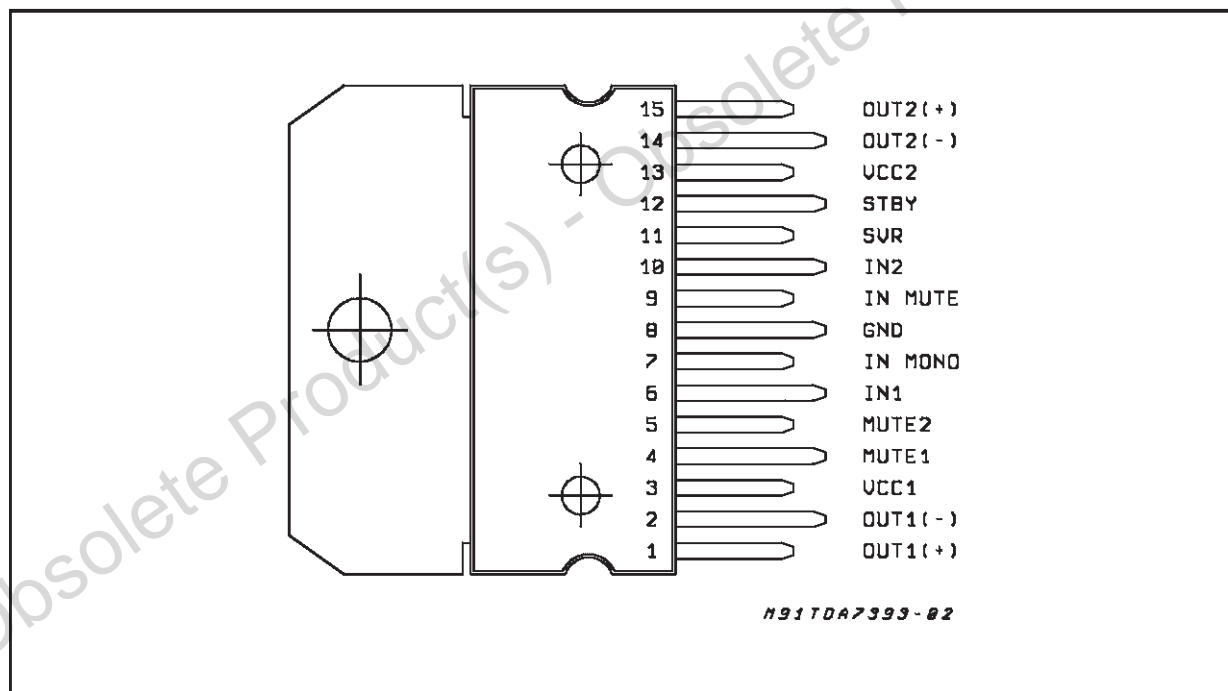
TDA7393

ABSOLUTE MAXIMUM RATINGS

Symbol	Parameter	Value	Unit
V_{CC}	Operating Supply Voltage	18	V
$V_{CC(DC)}$	DC Supply Voltage	28	V
$V_{CC(pk)}$	Peak Supply Voltage (t = 50ms)	50	V
I_o	Output Peak Current: Repetitive (Duty Cycle 10% at f = 10Hz)	4.5	A
	Non Repetitive (t = 100 μ s)	5.5	A
P_{tot}	Power dissipation, Tcase = 75°C (see derating curve)	50	W
T_j	Junction Temperature	150	°C
T_{op}	Operating Ambient Temperature	- 40 to 85	°C
T_{stg}	Storage Temperature	- 55 to 150	°C

allows very compact sets.

PIN CONNECTION (Top view)



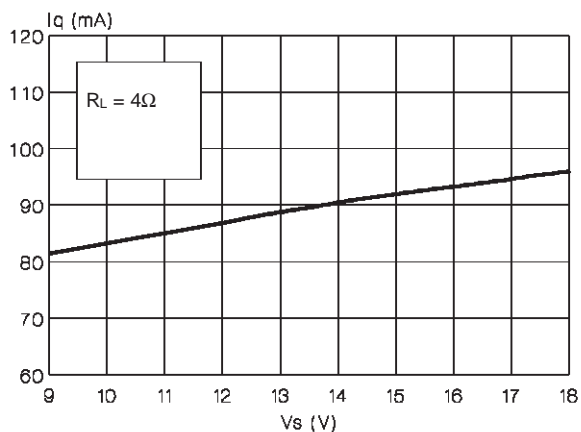
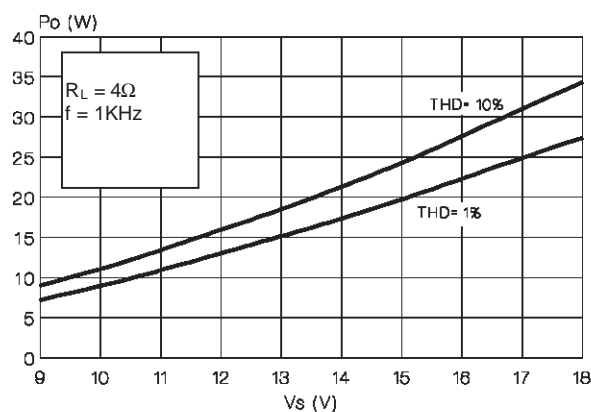
THERMAL DATA

Symbol	Parameter	Value	Unit
$R_{th\ j-case}$	Thermal Resistance Junction to Case	Max. 1.5	°C/W

TDA7393

ELECTRICAL CHARACTERISTICS ($V_S = 13.2V$; $f = 1KHz$; $R_g = 600\Omega$; $R_L = 4\Omega$; $T_{amb} = 25^\circ C$;
Refer to the application circuit, unless otherwise specified.)

Symbol	Parameter	Test Condition	Min.	Typ.	Max.	Unit
I_{q1}	Quiescent Current			90	180	mA
V_{OS}	Output Offset Voltage				150	mV
G_v	Voltage Gain		30.5	32	33.5	dB
P_o	Output Power	THD = 10%; $V_S = 14.4V$ THD = 10% THD = 1% THD = 10%; $R_L = 2\Omega$ THD = 10%; $V_S = 14.4V$; $R_L = 2\Omega$	17	22 19 16 25 28		W W W W W
$P_{o,max}$	Max. Output Power	EIAJ RULES; $V_S = 13.7V$		30		W
THD	Distortion	$P_o = 0.1$ to 8W		0.08	0.3	%
e_{No}	Output Noise	Bw = 20Hz to 20KHz			0.3	mVrms
SVR	Supply Voltage Rejection	$f = 100Hz$ (stereo)		60		dB
f_L	Low Cut-Off Frequency			10		Hz
f_H	High Cut-Off Frequency			300		KHz
R_i	Input Impedance		10	15	20	$K\Omega$
C_T	Cross Talk	$f = 1KHz$	50	65		dB
I_{SB}	St-By Current Consumption				100	μA
$V_{SB,out}$	St-By OUT Threshold Voltage	Amp. ON	3.5			V
$V_{SB,IN}$	St-By IN Threshold Voltage	Amp. OFF			1.5	V
V_{SB}	Supply Dependent St-By Threshold	St-By = H, V_S reducing/increasing		7.5	8.3	V
A_M	Mute Attenuation	$V_O = 1Vrms$		75		dB
$V_{M,out}$	Mute OUT Threshold Voltage	Amp. Play	3.5			V
$V_{M,IN}$	Mute IN Threshold Voltage	Amp. Mute			1.5	V
V_M	Supply Dependent Mute Threshold	Mute = IN, V_S reducing/increasing		8.5	9.3	V
$I_m(L)$	Muting Pin Current	$V_{MUTE} = 1.5V$ (Sourced Current)	6	10	14	μA
$I_m(H)$	Muting Pin Current	$V_{MUTE} = 3.5V$ (Sourced Current)	6	10	14	μA

Figure 1: Quiescent Current vs. Supply Voltage

Figure 2: Output Power vs. Supply Voltage


TDA7393

Figure 3: Output Power vs Supply Voltage

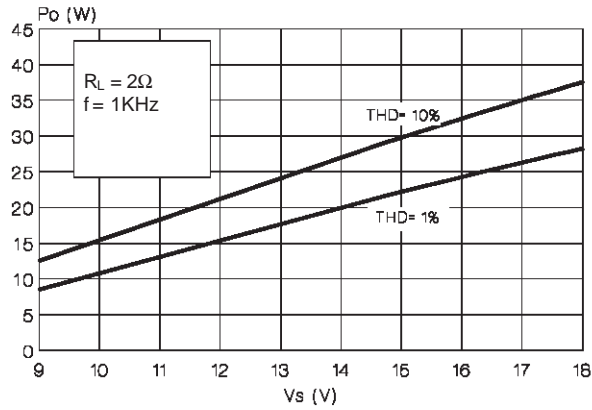


Figure 4: EIAJ Power vs. Supply Voltage

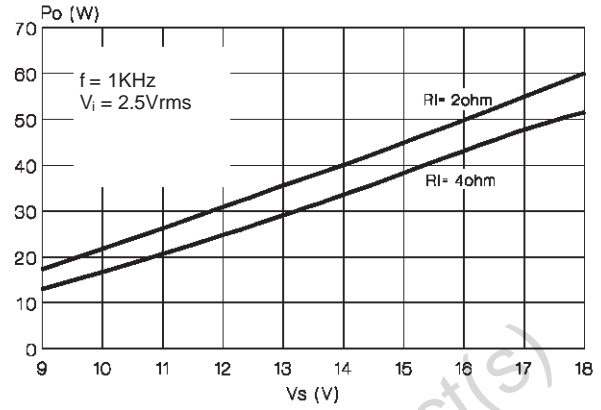


Figure 5: Cross-Talk vs. Frequency

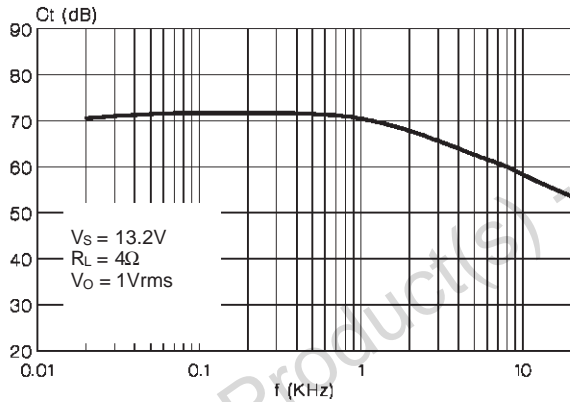


Figure 6: SVR vs. Frequency

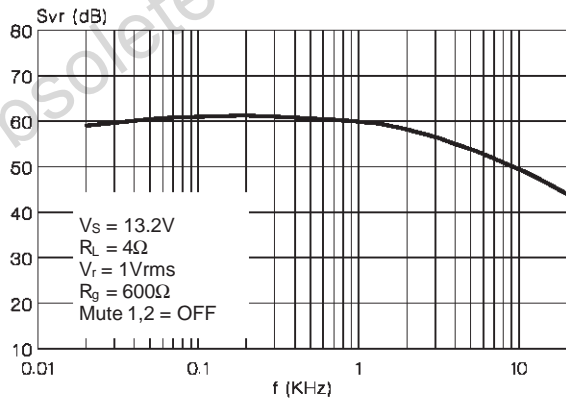


Figure 7: Distortion vs. Frequency

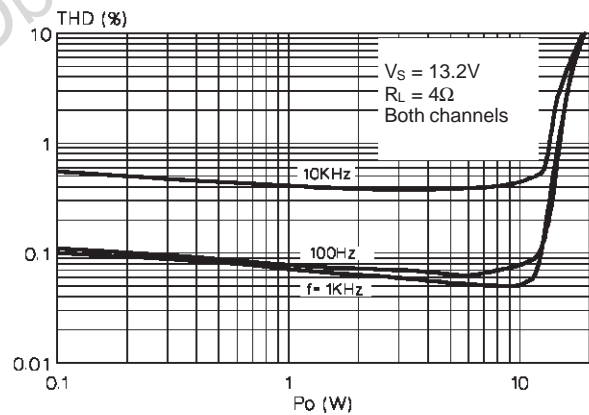
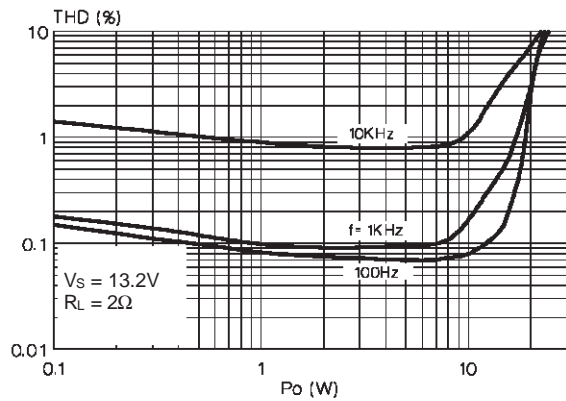


Figure 8: Distortion vs. Frequency



TDA7393

Figure 9: Block Diagram of Mute Circuit

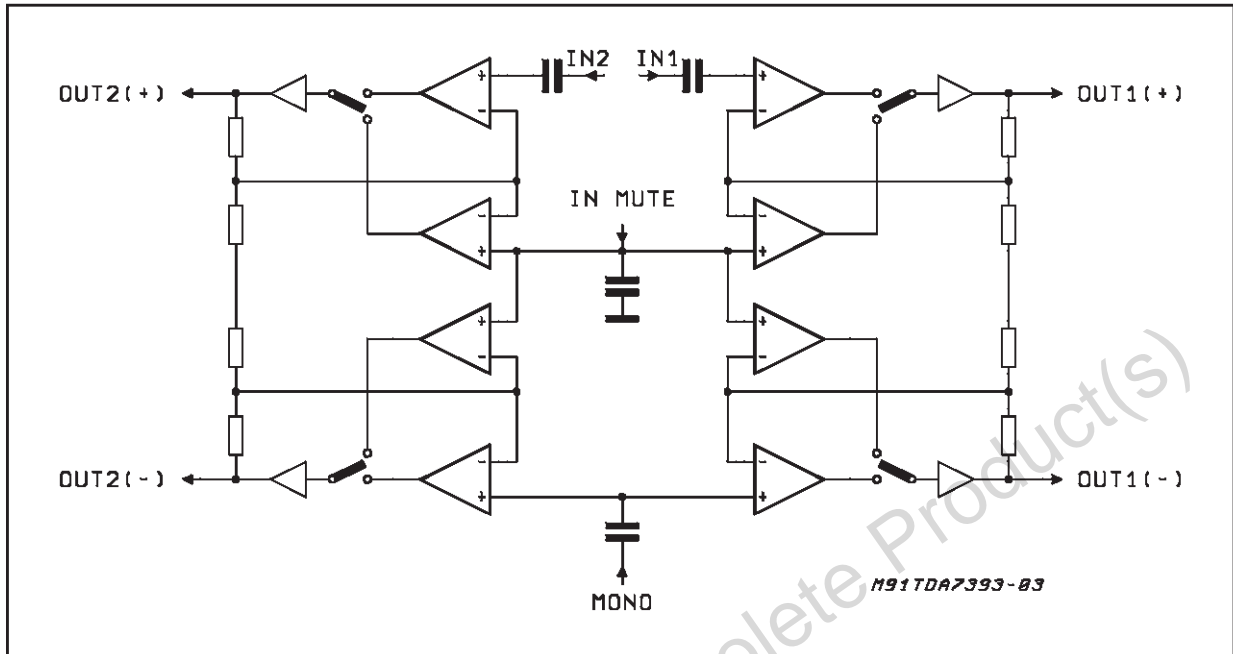
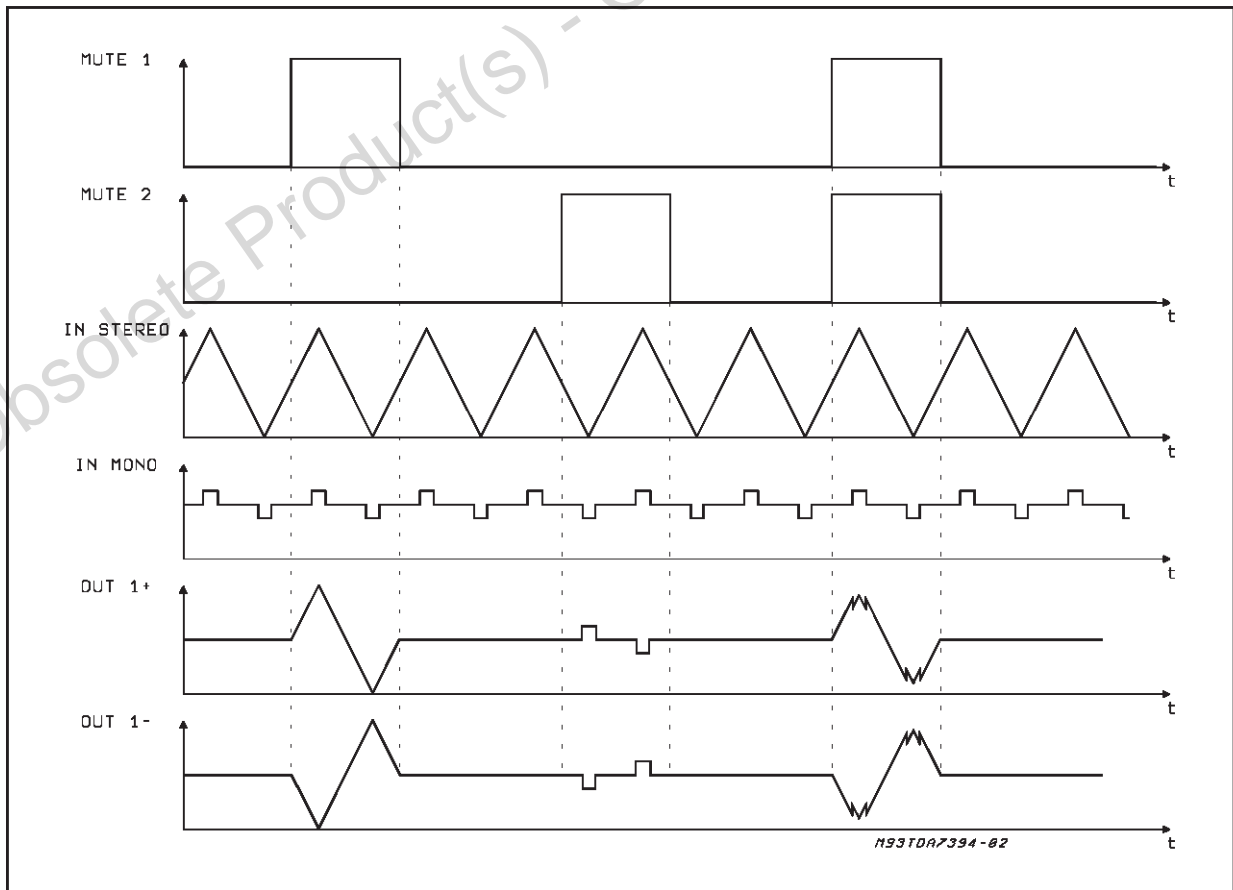


Figure 10: Explanatory Waveforms Of Mute Circuit



TDA7393

Figure 11: Application Circuit

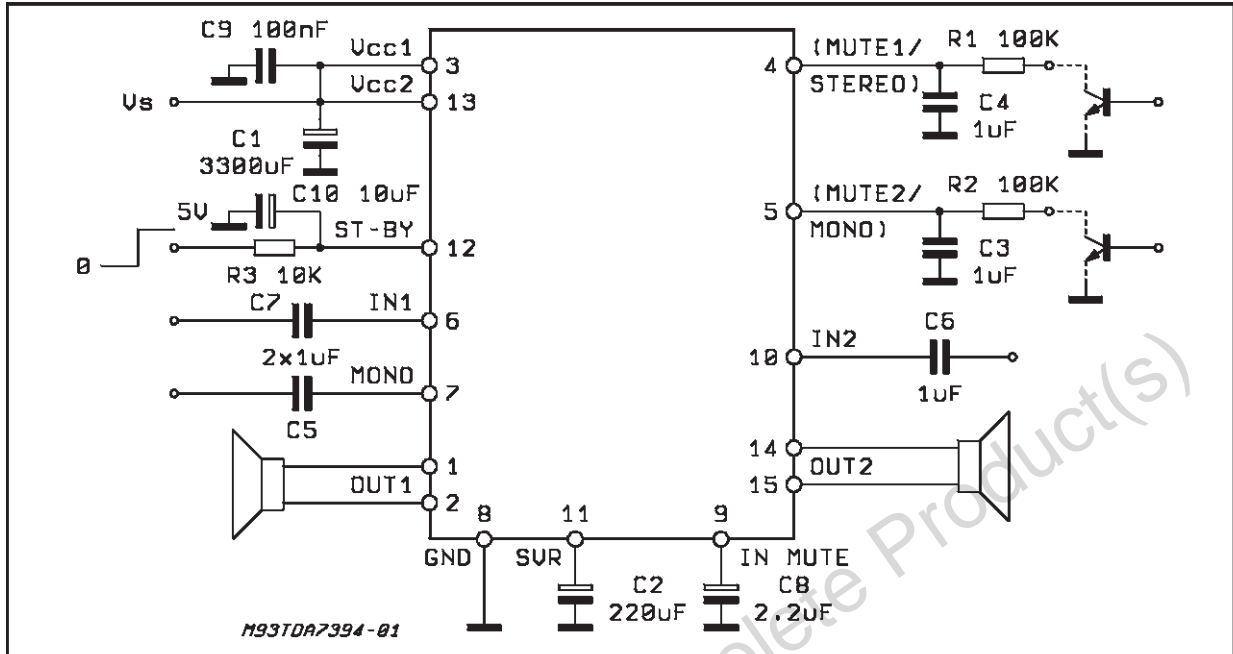


Figure 12: P.C. Board and Component Layout of the fig. 11 (1:1 scale)

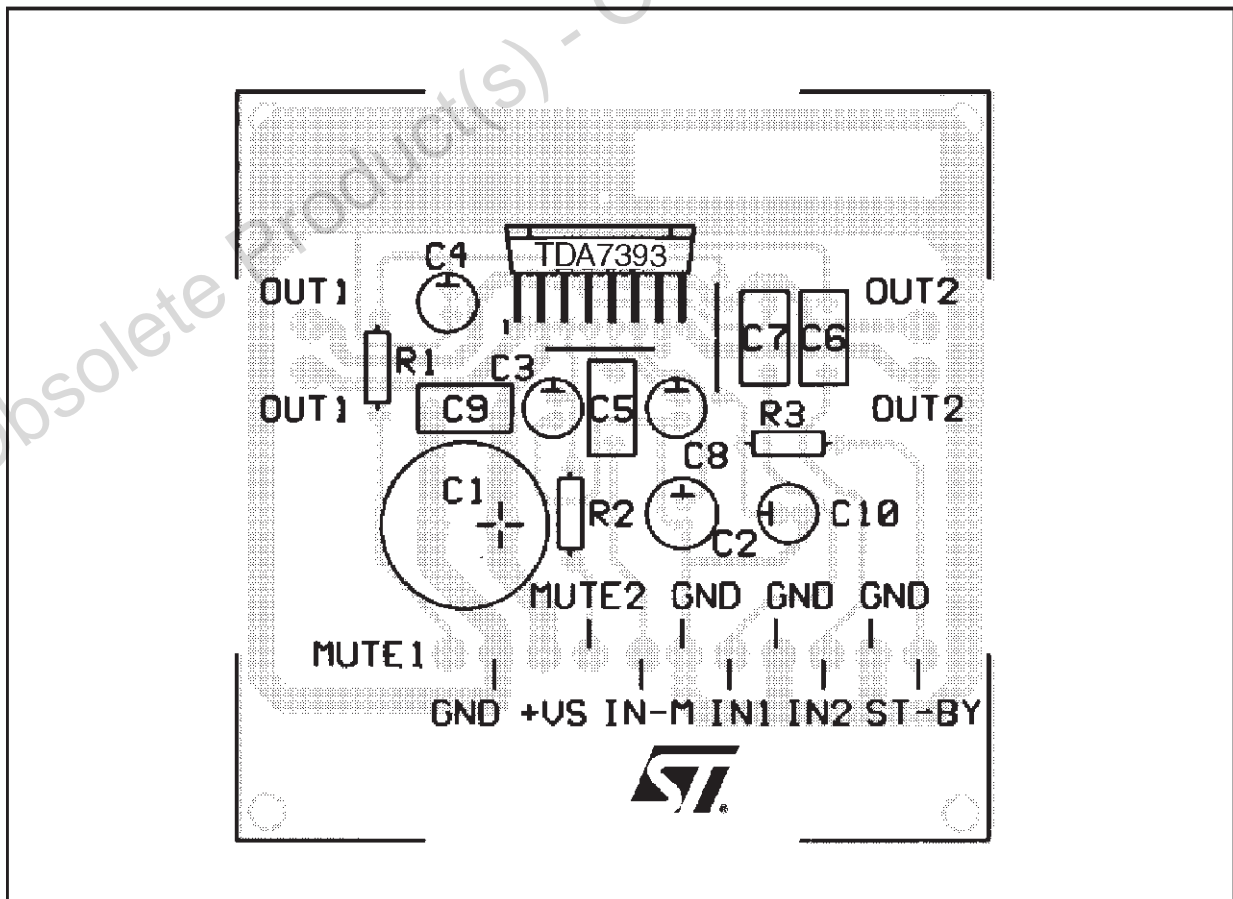
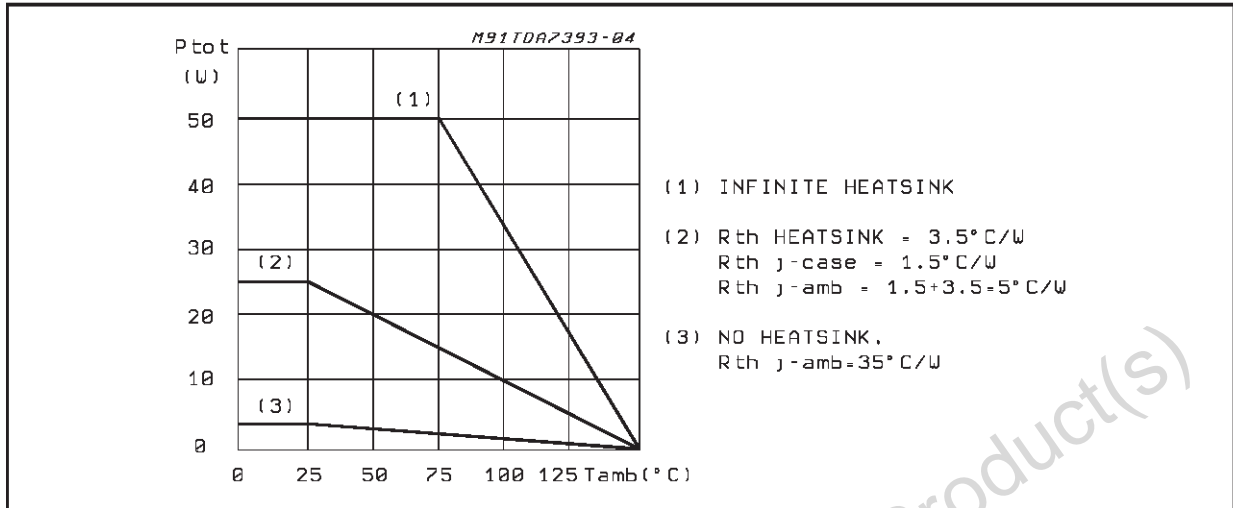


Figure 13: Power Dissipation Derating Curve

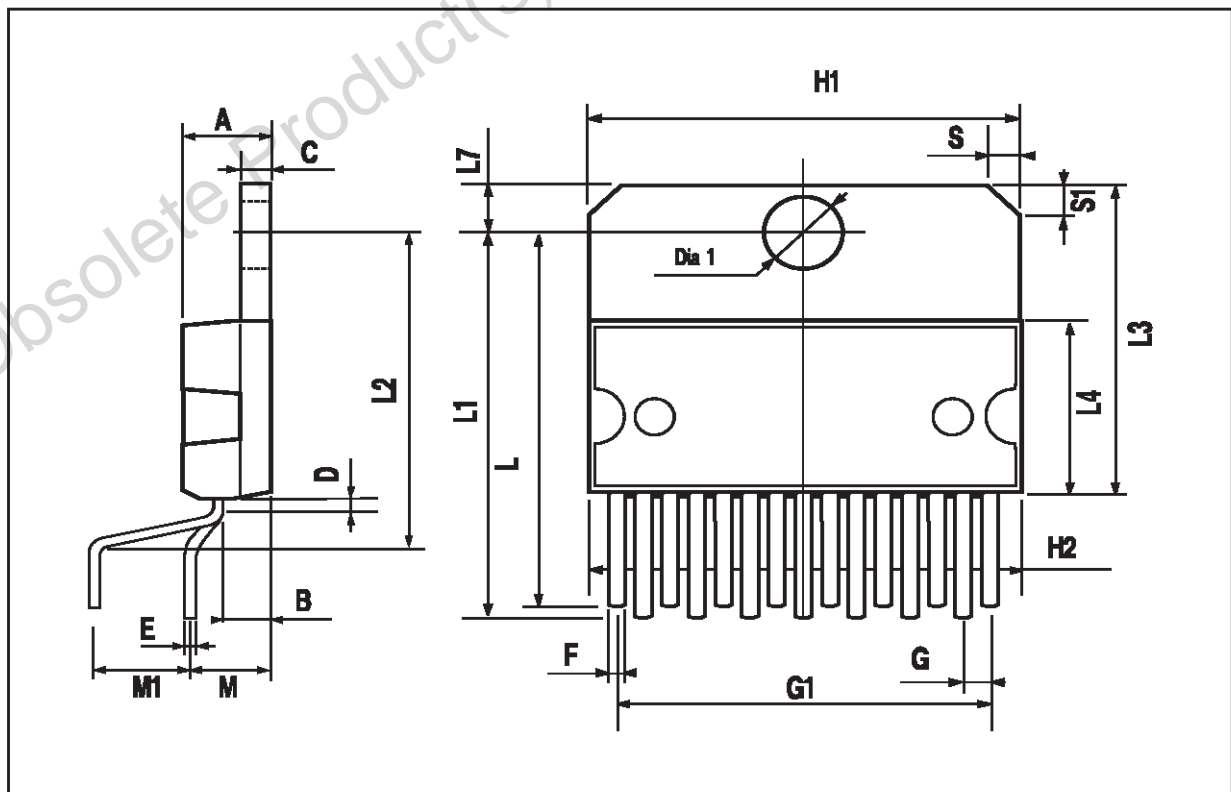
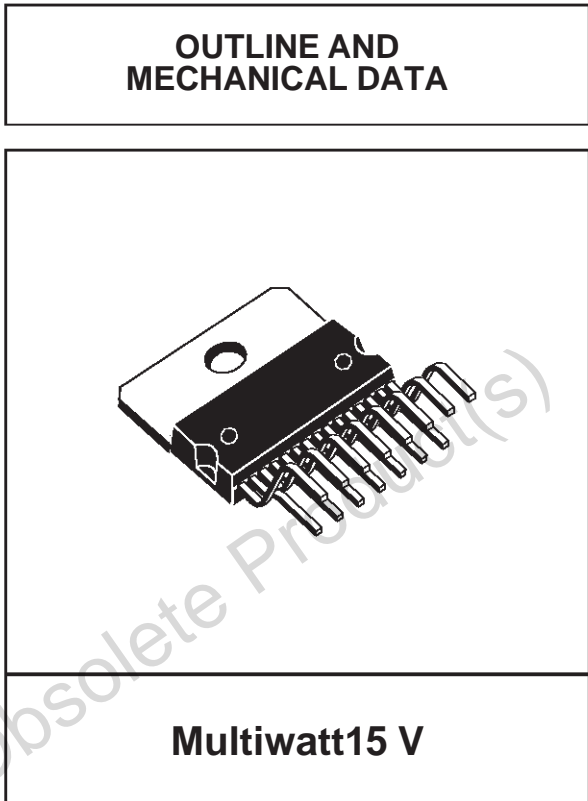


Obsolete Product(s) - Obsolete Product(s)

TDA7393

MULTIWATT15 PACKAGE MECHANICAL DATA

DIM.	mm			inch		
	MIN.	TYP.	MAX.	MIN.	TYP.	MAX.
A			5			0.197
B			2.65			0.104
C			1.6			0.063
D		1			0.039	
E	0.49		0.55	0.019		0.022
F	0.66		0.75	0.026		0.030
G	1.02	1.27	1.52	0.040	0.050	0.060
G1	17.53	17.78	18.03	0.690	0.700	0.710
H1	19.6			0.772		
H2			20.2			0.795
L	21.9	22.2	22.5	0.862	0.874	0.886
L1	21.7	22.1	22.5	0.854	0.870	0.886
L2	17.65		18.1	0.695		0.713
L3	17.25	17.5	17.75	0.679	0.689	0.699
L4	10.3	10.7	10.9	0.406	0.421	0.429
L7	2.65		2.9	0.104		0.114
M	4.25	4.55	4.85	0.167	0.179	0.191
M1	4.63	5.08	5.53	0.182	0.200	0.218
S	1.9		2.6	0.075		0.102
S1	1.9		2.6	0.075		0.102
Dia1	3.65		3.85	0.144		0.152



Obsolete Product(s) - Obsolete Product(s)

Information furnished is believed to be accurate and reliable. However, STMicroelectronics assumes no responsibility for the consequences of use of such information nor for any infringement of patents or other rights of third parties which may result from its use. No license is granted by implication or otherwise under any patent or patent rights of STMicroelectronics. Specification mentioned in this publication are subject to change without notice. This publication supersedes and replaces all information previously supplied. STMicroelectronics products are not authorized for use as critical components in life support devices or systems without express written approval of STMicroelectronics.

The ST logo is a registered trademark of STMicroelectronics

© 1998 STMicroelectronics – Printed in Italy – All Rights Reserved

MULTIWATT® is a Registered Trademark of the STMicroelectronics

STMicroelectronics GROUP OF COMPANIES

Australia - Brazil - Canada - China - France - Germany - Italy - Japan - Korea - Malaysia - Malta - Mexico - Morocco - The Netherlands - Singapore - Spain - Sweden - Switzerland - Taiwan - Thailand - United Kingdom - U.S.A.

<http://www.st.com>