

Excellent Integrated System Limited

Stocking Distributor

Click to view price, real time Inventory, Delivery & Lifecycle Information:

[TDK Corporation](#)
[VLP5610T-100MR65](#)

For any questions, you can email us directly:

sales@integrated-circuit.com

Inductors(Coil)

VLP Series VLP56 Type

For Power Supply SMD

FEATURES

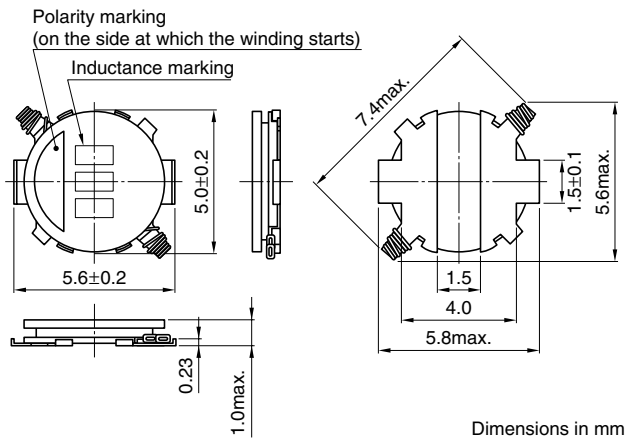
- This is an SMD power inductor for power supplies that has an open magnetic path construction based on a low-height drum core (upright).
- User terminals are contact-formed on the bottom of the drum core using copper (finished with tin plating).
- It uses crosswise windings and supports large currents.
- It is lead-free compatible.
- With several variations in drum core height, users can choose the perfect product for their application.



APPLICATIONS

- LCD modules
- Cell phones
- Hard drives

SHAPES AND DIMENSIONS



ELECTRICAL CHARACTERISTICS

Part No.	Inductance (μH)	Inductance tolerance (%)	Test frequency (kHz)	DC resistance (Ω)max.	Rated current(A)*	
					Based on inductance change	Based on temperature rise
VLP5610T-2R7M1R0	2.7	±20%	100	0.17	1.26 max.	1.05 typ.
VLP5610T-4R7MR90	4.7	±20%	100	0.24	1.08 max.	0.90 typ.
VLP5610T-6R8MR80	6.8	±20%	100	0.30	0.90 max.	0.80 typ.
VLP5610T-100MR65	10.0	±20%	100	0.45	0.72 max.	0.65 typ.
VLP5610T-150MR52	15.0	±20%	100	0.71	0.63 max.	0.52 typ.
VLP5610T-220MR45	22.0	±20%	100	0.96	0.50 max.	0.45 typ.
VLP5610T-330MR36	33.0	±20%	100	1.47	0.41 max.	0.36 typ.
VLP5610T-470MR29	47.0	±20%	100	1.93	0.36 max.	0.29 typ.

* Rated current: The rated current is the smaller of the values given based on the rate of inductance change (10% decrease from the initial value) or the temperature rise (temperature rise of 40°C caused by the heat generated by the product itself). Please note that the current applied must be DC.

Inductors(Coil)

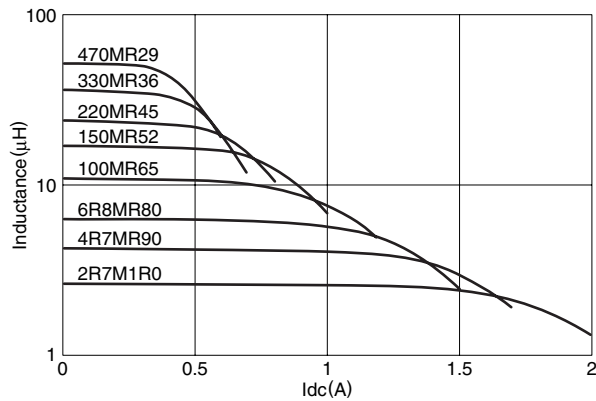
For Power Supply

SMD

VLP Series VLP56 Type

TYPICAL ELECTRICAL CHARACTERISTICS

INDUCTANCE vs. DC SUPERPOSITION CHARACTERISTICS



TEMPERATURE RISE CHARACTERISTICS

