

Excellent Integrated System Limited

Stocking Distributor

Click to view price, real time Inventory, Delivery & Lifecycle Information:

[STMicroelectronics](#)

[STS4DPFS30L](#)

For any questions, you can email us directly:

sales@integrated-circuit.com



STS4DPFS30L

P-CHANNEL 30V - 0.045Ω - 5A SO-8 STRIPFET™ MOSFET PLUS SCHOTTKY RECTIFIER

Table 1: General Features

MOSFET TYPE	V _{DSS}	R _{DS(on)}	I _D
STS4DPFS30L	30 V	< 0.055 Ω	5 A
SCHOTTKY	I _{F(AV)}	V _{RRM}	V _{F(MAX)}
	3 A	30 V	0.51 V

- TYPICAL R_{DS(on)} = 0.045 Ω
- CONDUCTION LOSSES REDUCED
- SWITCHING LOSSES REDUCED
- LOW THRESHOLD DRIVE
- STANDARD OUTLINE FOR EASY AUTOMATED SURFACE MOUNT ASSEMBLY

DESCRIPTION

This MOSFET is the latest development of STMicroelectronics unique "Single Feature Size™" strip-based process. The resulting transistor shows extremely high packing density for low on-resistance, rugged avalanche characteristics and less critical alignment steps therefore a remarkable manufacturing reproducibility.

APPLICATIONS

- DC/DC CONVERTERS
- BATTERY MANAGEMENT IN NOMADIC EQUIPMENT
- POWER MANAGEMENT IN CELLULAR PHONES
- DC MOTOR DRIVE

Figure 1: Package

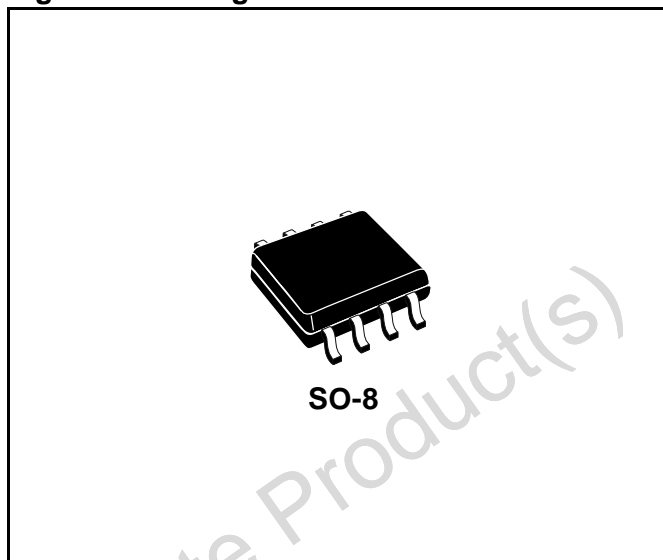


Figure 2: Internal Schematic Diagram

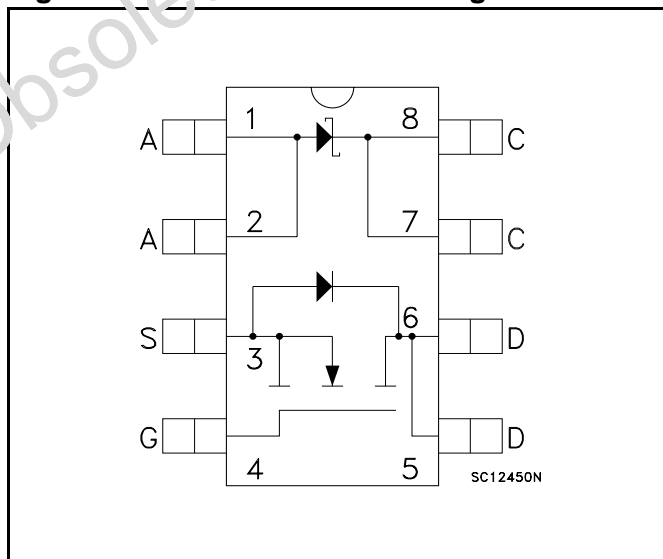


Table 2: Order Codes

PART NUMBER	MARKING	PACKAGE	PACKAGING
STS4DPF30L	4DFS30L	SO-8	TAPE & REEL

STS4DPFS30L

Table 3: MOSFET Absolute Maximum Ratings

Symbol	Parameter	Value	Unit
V _{DS}	Drain-source Voltage (V _{GS} = 0)	30	V
V _{DGR}	Drain-gate Voltage (R _{GS} = 20 kΩ)	30	V
V _{GS}	Gate- source Voltage	± 16	V
I _D	Drain Current (continuous) at T _C = 25°C Single Operating	5	A
I _D	Drain Current (continuous) at T _C = 100°C Single Operating	4	A
I _{DM} (•)	Drain Current (pulsed)	20	A
P _{TOT}	Total Dissipation at T _C = 25°C Single Operating	2.5	W
T _j	Operating Junction Temperature	150	°C
T _{stg}	Storage Temperature	-55 to 150	°C

(•) Pulse width limited by safe operating area

Note: For the P-CHANNEL MOSFET actual polarity of voltages and current has to be reversed

Table 4: Schottky Absolute Maximum Ratings

Symbol	Parameter		Value	Unit
V _{RRM}	Repetitive Peak Reverse Voltage		30	V
I _{F(RMS)}	RMS Forward Current		20	A
I _{F(AV)}	Average Forward Current	TL = 125°C δ = 0.5	3	A
I _{FSM}	Surge Non Repetitive Forward Current	tp = 10 ms Sinusoidal	75	A
I _{RRM}	Repetitive Peak Reverse Current	tp = 2 μs F = 1 kHz	1	A
I _{RSM}	Non Repetitive Peak Reverse Current	tp = 100 μs	1	A
dv/dt	Critical Rate Of Rise Of Reverse Voltage		10000	V/μs

Table 5: Thermal Data

R _{thj-case}	Thermal Resistance Junction-case Single Operating	50	°C/W
R _{thj-amb}	(*)Thermal Resistance Junction-ambient SCHOTTKY	100	°C/W
T _l	Maximum Lead Temperature For Soldering Purpose	300	°C

(*) Mounted on FR-4 board (Steady State)

ELECTRICAL CHARACTERISTICS (T_{CASE} = 25°C UNLESS OTHERWISE SPECIFIED)
Table 6: On/Off

Symbol	Parameter	Test Conditions	Min.	Typ.	Max	Unit
V _{(BR)DSS}	Drain-source Breakdown Voltage	I _D = 250 μA, V _{GS} = 0	30			V
I _{DSS}	Zero Gate Voltage Drain Current (V _{GS} = 0)	V _{DS} = Max Rating V _{DS} = Max Rating, T _C = 125°C			1 10	μA μA
I _{GSS}	Gate-body Leakage Current (V _{DS} = 0)	V _{GS} = ± 16V			±100	nA
V _{GS(th)}	Gate Threshold Voltage	V _{DS} = V _{GS} , I _D = 250 μA	1	1.6	2.5	V
R _{DS(on)}	Static Drain-source On Resistance	V _{GS} = 10 V, I _D = 2.5 A V _{GS} = 4.5 V, I _D = 2.5 A		0.045 0.065	0.055 0.075	Ω Ω

ELECTRICAL CHARACTERISTICS(CONTINUED)

Table 7: Dynamic

Symbol	Parameter	Test Conditions	Min.	Typ.	Max.	Unit
g_{fs} (1)	Forward Transconductance	$V_{DS} = 15\text{ V}, I_D = 2.5\text{ A}$		10		S
C_{iss} C_{oss} C_{rss}	Input Capacitance Output Capacitance Reverse Transfer Capacitance	$V_{DS} = 25\text{ V}, f = 1\text{ MHz}, V_{GS} = 0$		1350 490 130		pF pF pF

(1) Pulsed: Pulse duration = 300 μs , duty cycle 1.5%

Table 8: Switching On

Symbol	Parameter	Test Conditions	Min.	Typ.	Max.	Unit
$t_{d(on)}$ t_r	Turn-on Delay Time Rise Time	$V_{DD} = 15\text{ V}, I_D = 2.5\text{ A},$ $R_G = 4.7\ \Omega, V_{GS} = 4.5\text{ V}$ (see Figure 16))		25 35		ns ns
Q_g Q_{gs} Q_{gd}	Total Gate Charge Gate-Source Charge Gate-Drain Charge	$V_{DD} = 24\text{ V}, I_D = 5\text{ A},$ $V_{GS} = 5\text{ V}$ (see, Figure 19)		12.5 5 3	16	nC nC nC

Table 9: Switching Off

Symbol	Parameter	Test Conditions	Min.	Typ.	Max.	Unit
$t_{d(off)}$ t_f	Turn-off Delay Time Fall Time	$V_{DD} = 15\text{ V}, I_D = 2.5\text{ A},$ $R_G = 4.7\ \Omega, V_{GS} = 4.5\text{ V}$ (see, Figure 16)		125 35		ns ns

Table 10: Source-Drain Diode

Symbol	Parameter	Test Conditions	Min.	Typ.	Max.	Unit
I_{SD}	Source-drain Current				5	A
I_{SDM} (2)	Source-drain Current (pulsed)				20	A
V_{SD} (1)	Forward On Voltage	$I_{SD} = 5\text{ A}, V_{GS} = 0$			1.2	V
t_{rr} Q_{rr} I_{RRM}	Reverse Recovery Time Reverse Recovery Charge Reverse Recovery Current	$I_{SD} = 5\text{ A}, di/dt = 100\text{ A}/\mu\text{s}$ $V_{DD} = 15\text{ V}, T_J = 150^\circ\text{C}$ (see, Figure 17)		45 36 1.6		ns nC A

Table 11: Schottky Static Electrical Characteristics

Symbol	Parameter	Test Conditions	Min.	Typ.	Max.	Unit
I_R (*)	Reversed Leakage Current	$T_J = 25^\circ\text{C}, V_R = 30\text{ V}$ $T_J = 125^\circ\text{C}, V_R = 30\text{ V}$		0.03	0.2 100	mA mA
V_F (*)	Forward Voltage Drop	$T_J = 25^\circ\text{C}, I_F = 3\text{ A}$ $T_J = 125^\circ\text{C}, I_F = 3\text{ A}$		0.46	0.51 0.46	V V

(1) Pulsed: Pulse duration = 300 μs , duty cycle 1.5 %.

(2) Pulse width limited by safe operating area.

STS4DPFS30L

Figure 3: Safe Operating

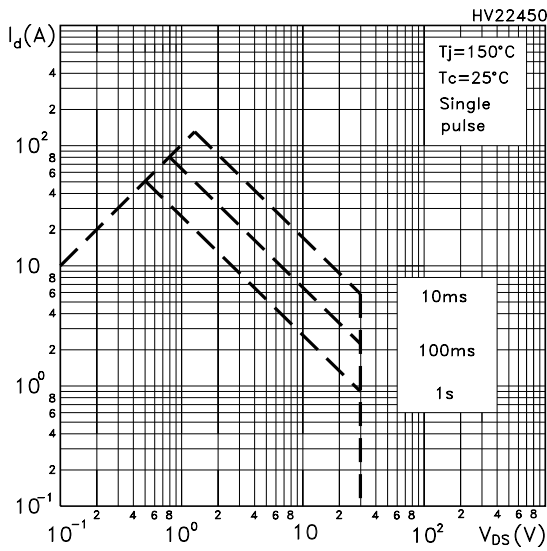


Figure 4: Output Characteristics

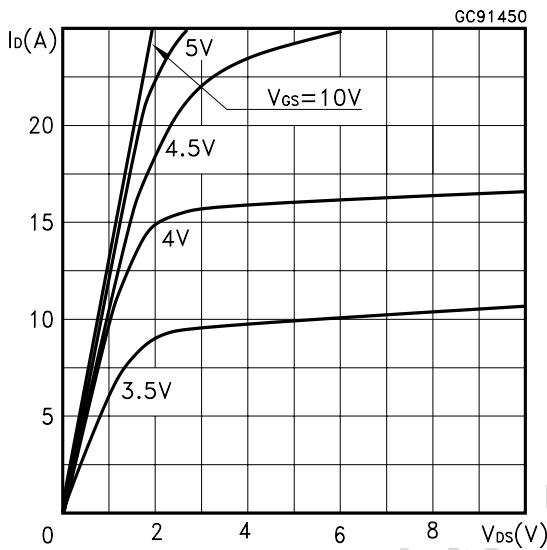


Figure 5: Transconductance

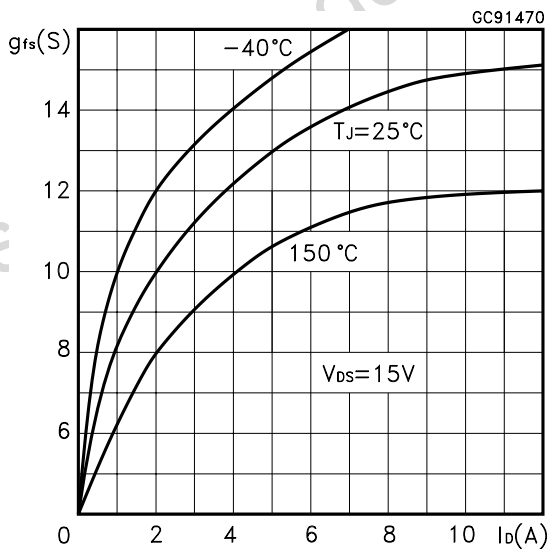


Figure 6: Thermal Impedance

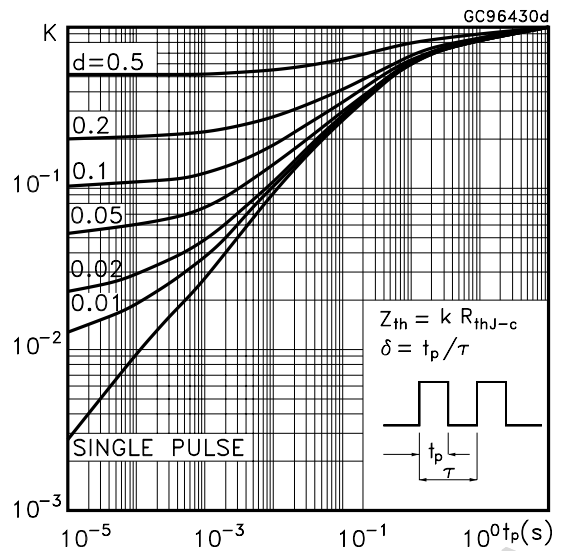


Figure 7: Transfer Characteristics

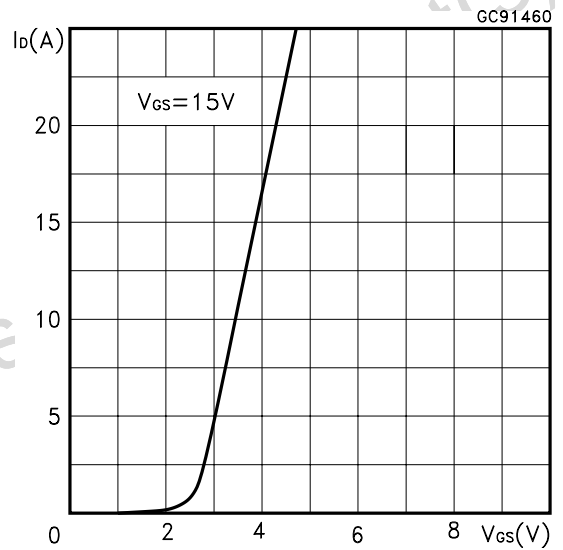


Figure 8: Static Drain-Source On Resistance

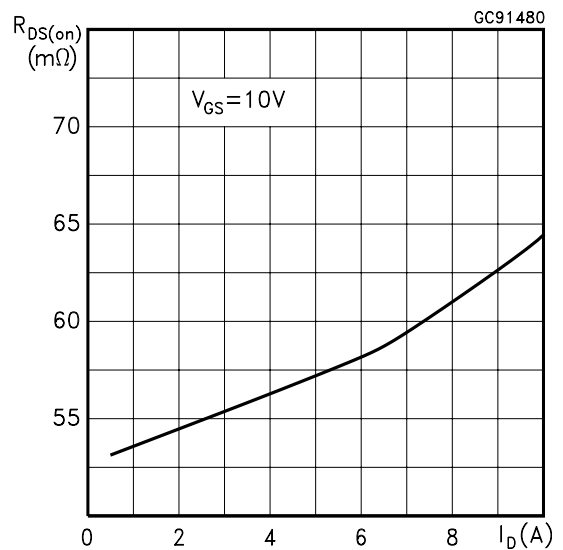


Figure 9: Gate Charge vs Gate-Source Voltage

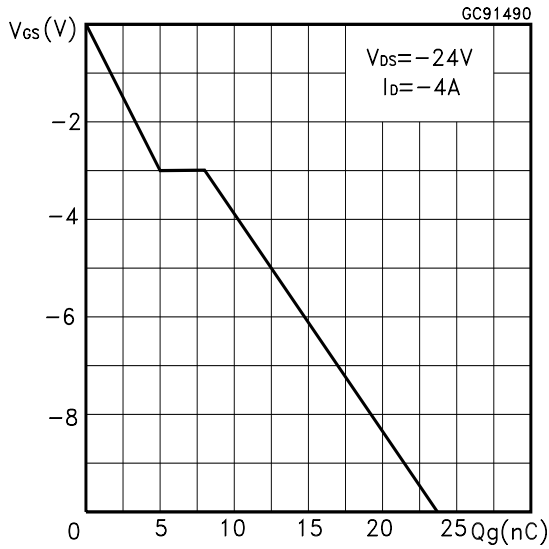


Figure 10: Normalized Gate Threshold Voltage vs Temperature

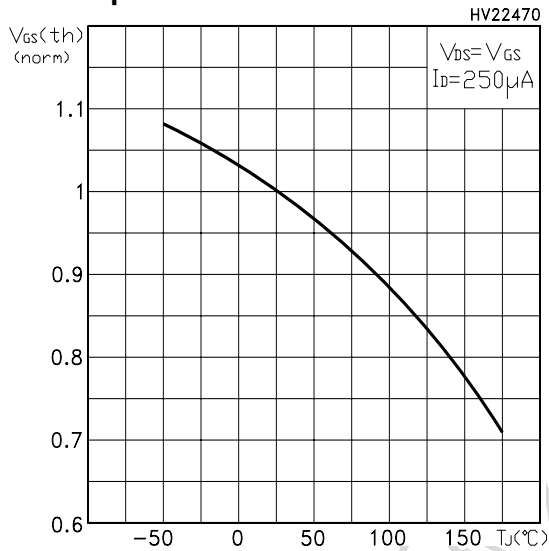


Figure 11: Source-Drain Diode Forward Characteristics

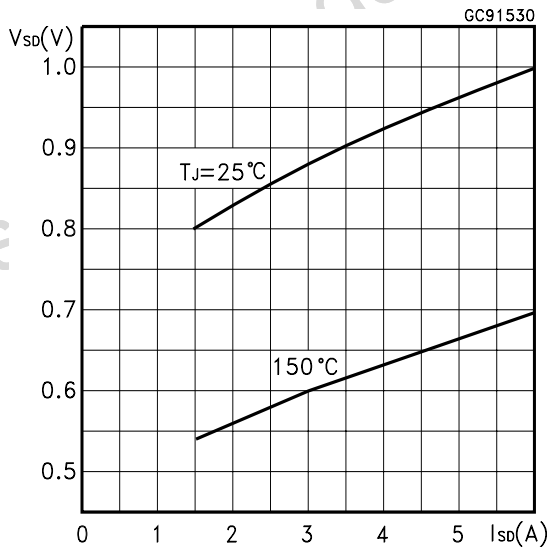


Figure 12: Capacitances Variations

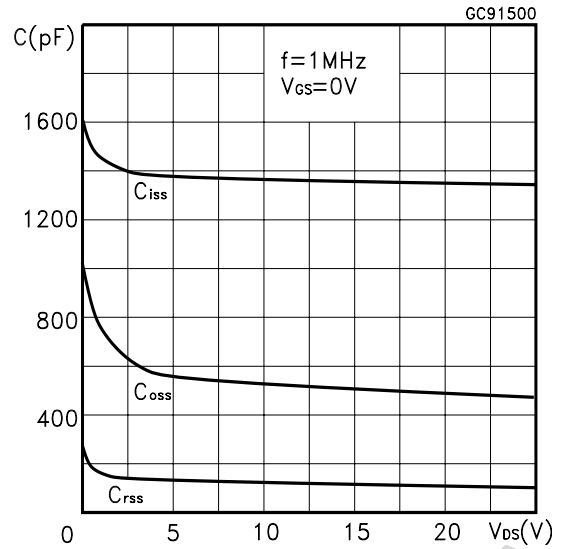


Figure 13: Normalized On Resistance vs Temperature

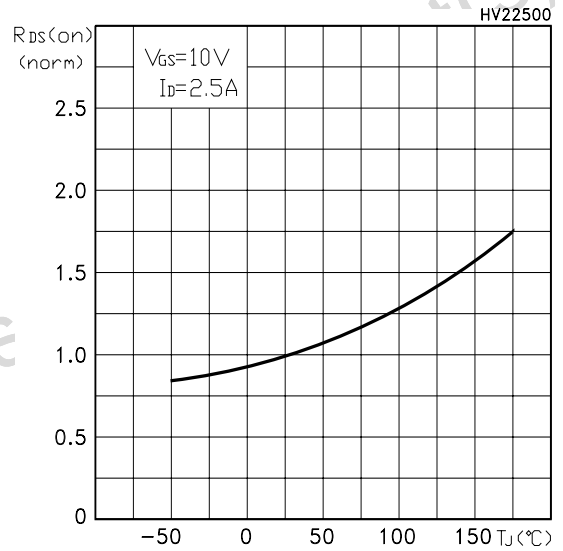
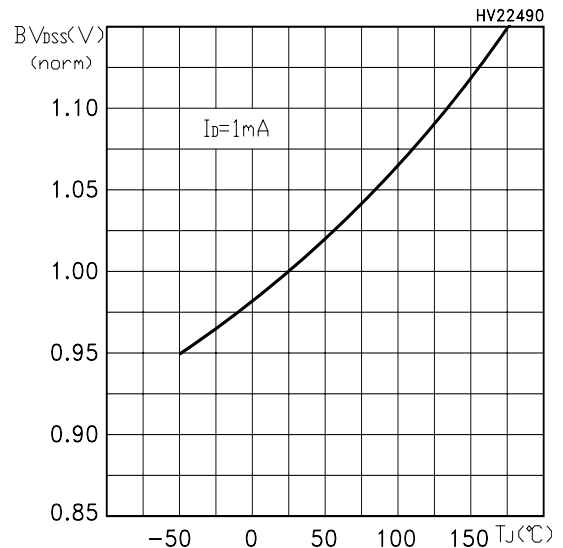


Figure 14: Normalized BVdss vs Temperature



STS4DPFS30L

Figure 15: Unclamped Inductive Load Test Circuit

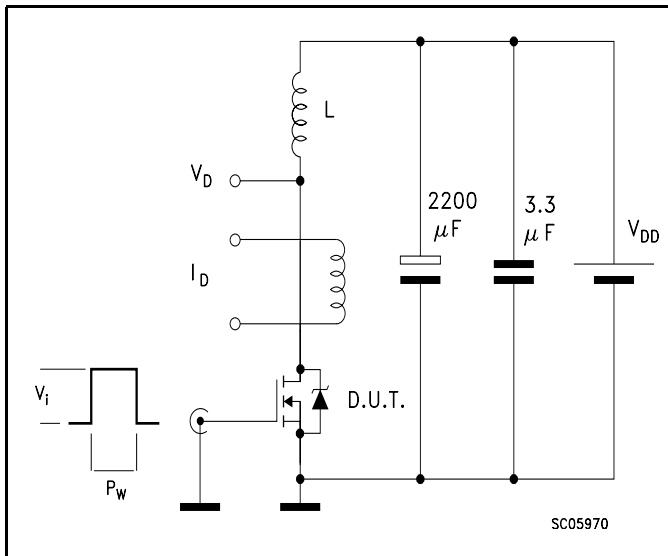


Figure 16: Switching Times Test Circuit For Resistive Load

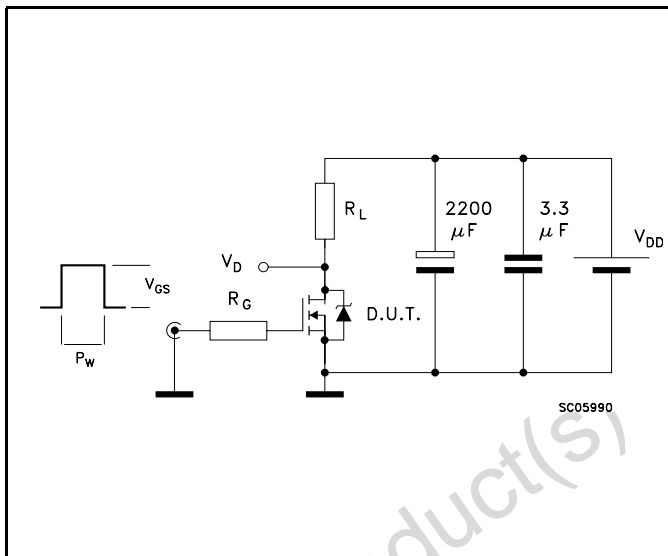


Figure 17: Test Circuit For Inductive Load Switching and Diode Recovery Times

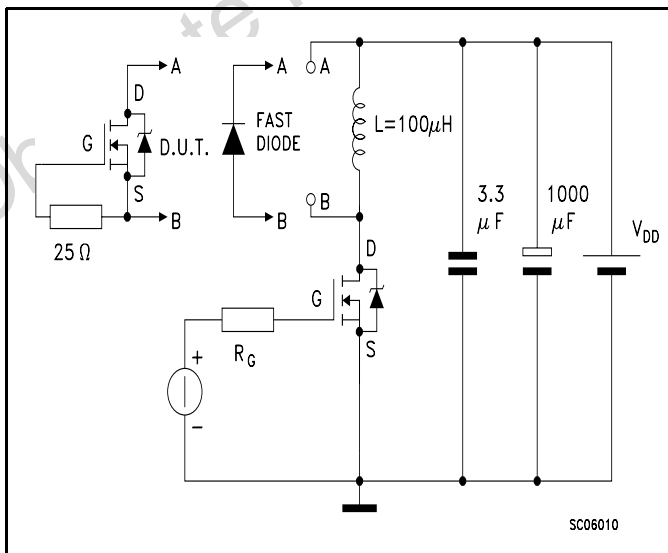


Figure 18: Unclamped Inductive Waform

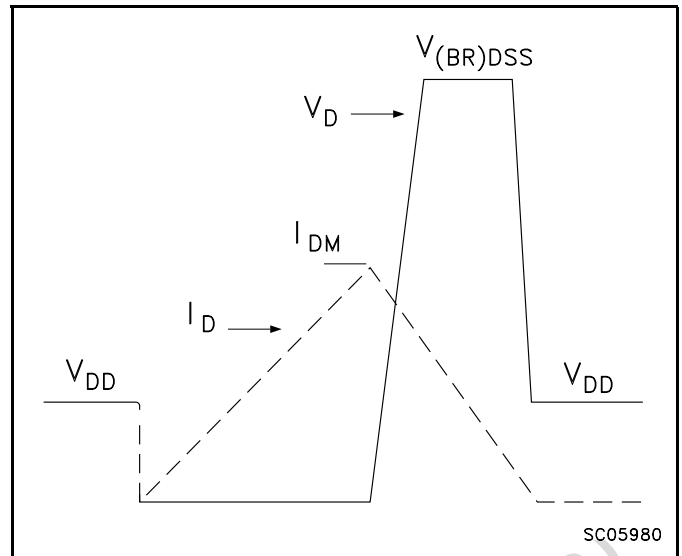
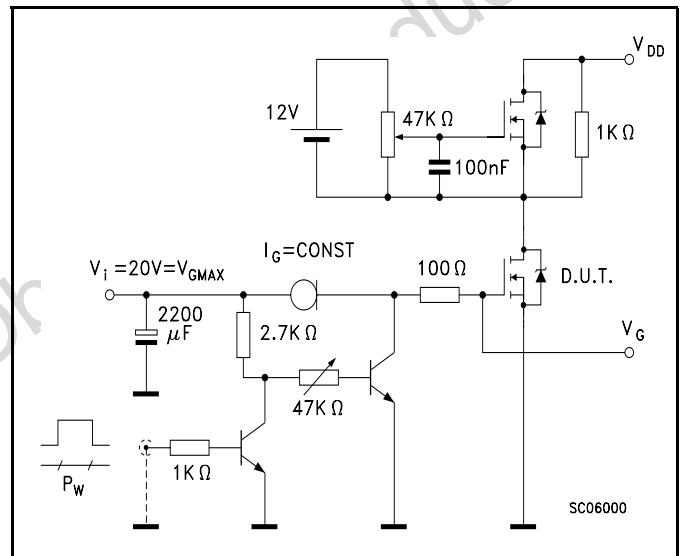
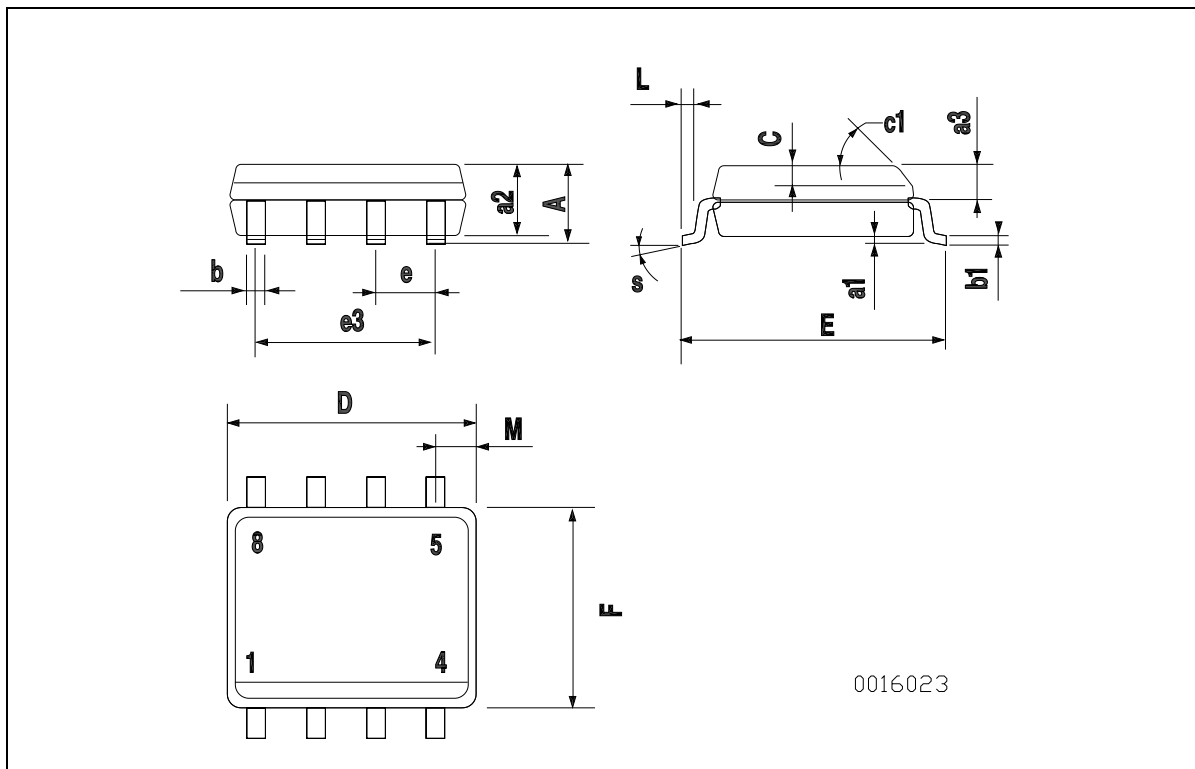


Figure 19: Gate Charge Test Circuit



SO-8 MECHANICAL DATA

DIM.	mm.			inch		
	MIN.	TYP	MAX.	MIN.	TYP.	MAX.
A			1.75			0.068
a1	0.1		0.25	0.003		0.009
a2			1.65			0.064
a3	0.65		0.85	0.025		0.033
b	0.35		0.48	0.013		0.018
b1	0.19		0.25	0.007		0.010
C	0.25		0.5	0.010		0.019
c1	45 (typ.)					
D	4.8		5.0	0.188		0.196
E	5.8		6.2	0.228		0.244
e		1.27			0.050	
e3		3.81			0.150	
F	3.8		4.0	0.14		0.157
L	0.4		1.27	0.015		0.050
M			0.6			0.023
S	8 (max.)					



STS4DPFS30L

Table 12: Revision History

Date	Revision	Description of Changes
14-Dec-2004	1	First Revision

Obsolete Product(s) - Obsolete Product(s)

Information furnished is believed to be accurate and reliable. However, STMicroelectronics assumes no responsibility for the consequences of use of such information nor for any infringement of patents or other rights of third parties which may result from its use. No license is granted by implication or otherwise under any patent or patent rights of STMicroelectronics. Specifications mentioned in this publication are subject to change without notice. This publication supersedes and replaces all information previously supplied. STMicroelectronics products are not authorized for use as critical components in life support devices or systems without express written approval of STMicroelectronics.

The ST logo is a registered trademark of STMicroelectronics

All other names are the property of their respective owners

© 2004 STMicroelectronics - All Rights Reserved

STMicroelectronics group of companies

Australia - Belgium - Brazil - Canada - China - Czech Republic - Finland - France - Germany - Hong Kong - India - Israel - Italy - Japan - Malaysia - Malta - Morocco - Singapore - Spain - Sweden - Switzerland - United Kingdom - United States of America