

## Excellent Integrated System Limited

Stocking Distributor

Click to view price, real time Inventory, Delivery & Lifecycle Information:

[Honeywell Sensing and Productivity Solutions](#)  
[363M10K](#)

For any questions, you can email us directly:

[sales@integrated-circuit.com](mailto:sales@integrated-circuit.com)

# Honeywell

---



## 363M10K

**363 Series Trimmer, 10 kOhm, 0.5 W, 1 Turns, Square Body, Vertical Shaft**

*Representative photograph, actual product appearance may vary.*

*Due to regional agency approval requirements, some products may not be available in your area.*

*Please contact your regional Honeywell office regarding your product of choice.*

### Features

- 0.5 Watt
- Cermet element
- Low cost
- Superior setability and stability
- CRV to 3 % or 3 Ohms
- solid stops

### Typical Applications

- Voltage divider circuits
- Telecommunications

### Description

The 363 Series is a low cost, 9.53 mm (3/8 in.) square, single turn trimmer. Made in accordance to MIL-R-22097 standards, the 363 is sealed for cleaning in common solvents.

# Honeywell

---

## 363M10K

**363 Series Trimmer, 10 kOhm, 0.5 W, 1 Turns, Square Body, Vertical Shaft**

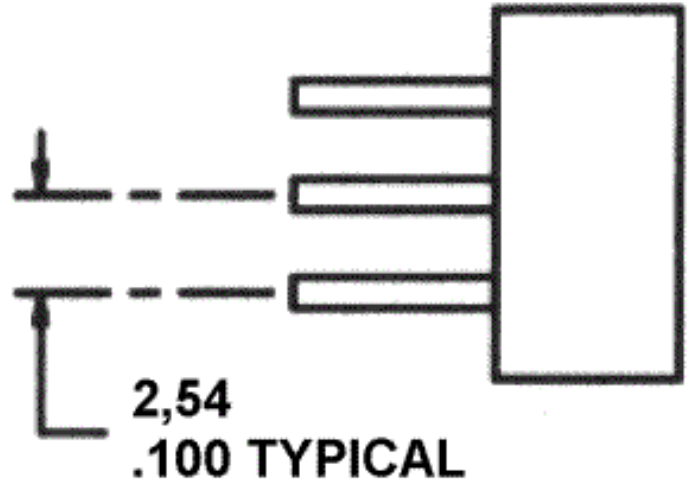
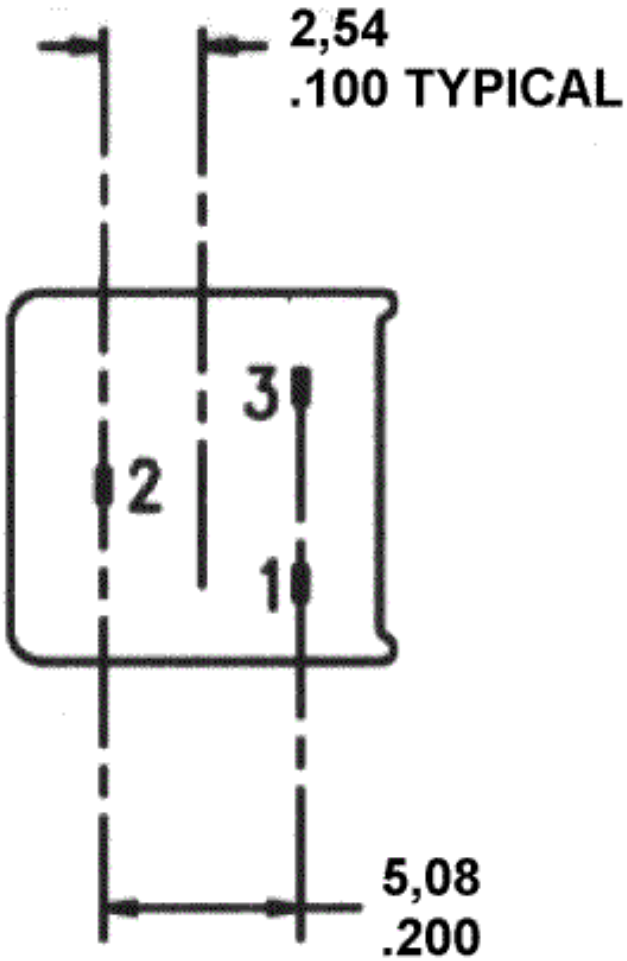
Product Specifications	
Product Type	Trimmer
Watts	0.5 W
Turns	1
Element Type	Cermet
Resistance Value	10 kOhm
Resistance Tolerance	± 10 %
Temperature Coefficient	± 100 ppm/ °C
Body	9,53 mm [0.375 in] square
Shaft Location	Vertical
Rotational Life	200 cycles
Series Name	363 Series
Availability	Global
UNSPSC Code	4111363300
UNSPSC Commodity	4111363300 Potentiometers

# Honeywell

## 363M10K

363 Series Trimmer, 10 kOhm, 0.5 W, 1 Turns, Square Body, Vertical Shaft

**FOR REFERENCE ONLY (MM/IN)**



**Honeywell**

## 363M10K

363 Series Trimmer, 10 kOhm, 0.5 W, 1 Turns, Square Body, Vertical Shaft

### **⚠ WARNING**

#### **PERSONAL INJURY**

DO NOT USE these products as safety or emergency stop devices, or in any other application where failure of the product could result in personal injury.

**Failure to comply with these instructions could result in death or serious injury.**

**⚠ WARNING**

**MISUSE OF DOCUMENTATION**

- The information presented in this product sheet (or catalog) is for reference only. DO NOT USE this document as product installation information.
- Complete installation, operation and maintenance information is provided in the instructions supplied with each product.

**Failure to comply with these instructions could result in death or serious injury.**