

Excellent Integrated System Limited

Stocking Distributor

Click to view price, real time Inventory, Delivery & Lifecycle Information:

[EPCOS \(TDK\)](#)
[B49410B2366Q000](#)

For any questions, you can email us directly:

sales@integrated-circuit.com



UltraCap[®]

Single cell
3600 F/ 2.5 V

Series/Type:

Ordering code: B49410B2366Q000

Date: March 2005

© EPCOS AG 2005. Reproduction, publication and dissemination of this data sheet, enclosures hereto and the information contained therein without EPCOS' prior express consent is prohibited.

Purchase orders are subject to the General Conditions for the Supply of Products and Services of the Electrical and Electronics Industry recommended by the ZVEI (German Electrical and Electronic Manufacturers' Association), unless otherwise agreed.



UltraCap®

B49410B2366Q000

Single cell, 3600 F/ 2.5 V

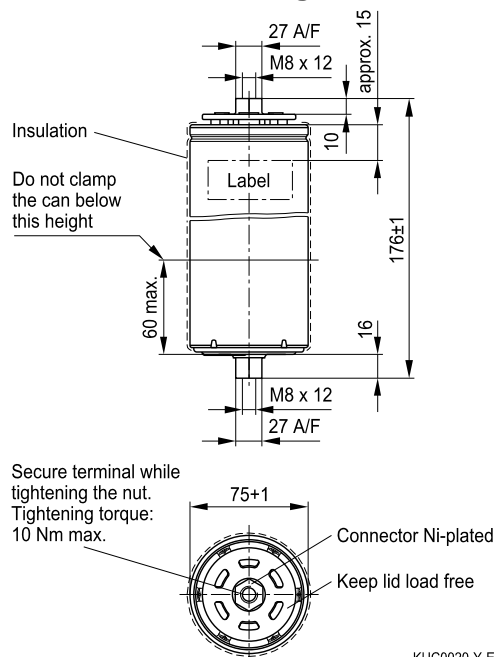
Features

- Screw terminals M8 × 12
- Power type
- Insulated with polyurethane
- Short-circuit-proof

Note

- Do not put into fire!
- Do not open the capacitor!
- To avoid health and fire hazards, do not operate the capacitor beyond the voltage or temperature limits given in the data sheet. Any excess may also result in a reduction of lifetime.
- Please pay also attention to the transport and waste disposal instructions in chapter "Cautions".

Dimensional drawing



KUC0020-Y-E

Dimensions in mm

Electrical specifications

Rated capacitance	($T_A = 25\text{ °C}$; DCC) ¹⁾	C_R	3600	F
Tolerance of C_R			-10/+30	%
Rated voltage	($T_A = 25\text{ °C}$)	V_R	2.5	V
Capacity			2500	mAh
Specific power	(IEC 62391-2)		2.9	kW/kg
Specific power	(IEC 62391-2)		3.9	kW/l
Stored energy	($V = V_R$)	E	11250	J
Specific energy	($V = V_R$)		3.6	Wh/kg
Specific energy	($V = V_R$)		4.9	Wh/l
Surge voltage		V_{surge}	2.8	V
Maximum series resistance	($T_A = 25\text{ °C}$; 1 kHz)	ESR	160	$\mu\Omega$
Maximum series resistance	($T_A = 25\text{ °C}$; 50 mHz)	ESR _{DC}	300	$\mu\Omega$
Weight			870	g
Volume	(without terminals)		0.64	l
Operating temperature range		T_{op}	-30/+70	°C
Storage temperature	($V = 0\text{ V}$)	T_{st}	-40/+70	°C
Lifetime (hours) ²⁾	($T_A = 25\text{ °C}$; $V = V_R$)		90000	h
Lifetime (cycles) ³⁾	($T_A = 25\text{ °C}$; $I = 100\text{ A}$)		500000	cycles

1) DCC: discharging with constant current.

2) Requirements: $|\Delta C/C_R| \leq 30\%$, $\text{ESR} \leq 2$ times of specified limit, $I_{\text{leak}} \leq 2$ times of initial value.

3) Requirements: $|\Delta C/C_R| \leq 30\%$, $\text{ESR} \leq 2$ times of specified limit, $I_{\text{leak}} \leq 2$ times of initial value (1 cycle: charging to V_R , 30 s rest, discharging to $V_R/2$, 30 s rest).