

## Excellent Integrated System Limited

Stocking Distributor

Click to view price, real time Inventory, Delivery & Lifecycle Information:

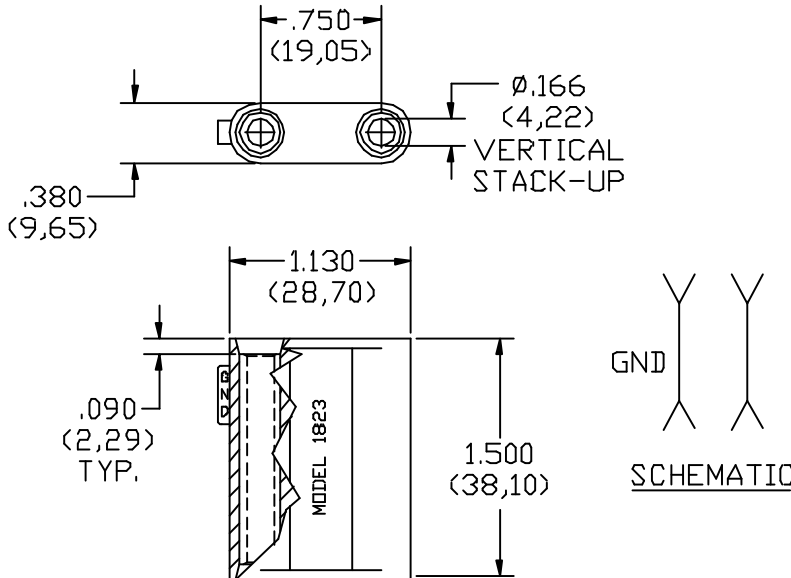
[Pomona Electronics](#)  
[1823-0](#)

For any questions, you can email us directly:

[sales@integrated-circuit.com](mailto:sales@integrated-circuit.com)

Pomona®

**Model 1823**  
**Double Banana Plug Splice**



**FEATURES:**

- Provides rapid method for splicing cables.
- Reduces necessity of storing extra long cables.
- 4.2 (.166) dia. Banana Jacks.

**MATERIALS:**

Upper Conn: Double Banana Jack

Material: Brass per QQ-B-626, Alloy 360, 1/2 Hard.

Finish: Nickel plated per QQ-N-290, Class 2, 200 to 300 microinches.

Insulation: Polypropylene molded to Banana Jack bodies

Marking: "POMONA ELECTRONICS CALIF." "MODEL 1823."

Color: See Ordering Information

Lower Conn:

Same as Upper Conn.

**RATINGS:**

Operating Temperature: +55° C. (+131° F.) Max.

Operating Voltage: 5000 VDC.

Current: 15 Amperes

**ORDERING INFORMATION:** Model 1823-\*

\*= Color, -0 Black, -2 Red

Ordering Example: 1823-2 Color is Red

All dimensions are in inches. Tolerances (except noted): .xx = ±.02" (.51 mm), .xxx = ±.005" (.127 mm).

All specifications are to the latest revisions. Specifications are subject to change without notice.

Registered trademarks are the property of their respective companies. Made in USA