

Excellent Integrated System Limited

Stocking Distributor

Click to view price, real time Inventory, Delivery & Lifecycle Information:

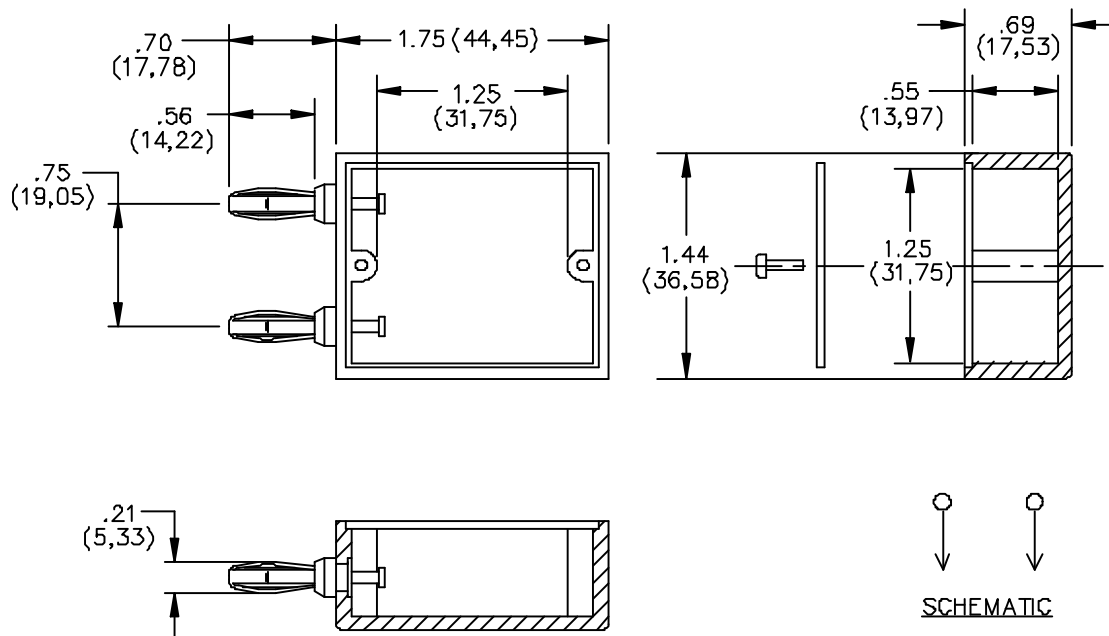
[Pomona Electronics](#)
[2096](#)

For any questions, you can email us directly:

sales@integrated-circuit.com

Pomona®

Model 2096 Phenolic Box With Double Banana Plugs



MATERIALS:

Banana Plug Springs: Beryllium Copper, Cond. H.T.

Finish: Nickel plated per QQ-N-290, Class 2, 200/300 microinches

Banana Plug Bodies and Solder Turret Terminals: Brass, Alloy 360 ½ Hard.

Finish: Nickel plated per QQ-N-290 Class 2 (200/300 microinches)

Molded Housing: Electrical grade Phenolic. Color: Black

Marking: "MODEL 2096 POMONA ELECTRONICS CALIF."

Cover: Phenolic Plate. Color: Black

Screws: 2 ea. #2-56 x (3/16") Pan HD. - Steel

RATINGS:

Operating Temperature: +150°C. (+302°F.) Max.

Current: 15 Amperes

ORDERING INFORMATION: Model 2096

All dimensions are in inches. Tolerances (except noted): .xx = ±.02" (.51 mm), .xxx = ±.005" (.127 mm).

All specifications are to the latest revisions. Specifications are subject to change without notice.

Registered trademarks are the property of their respective companies. Made in USA