

Excellent Integrated System Limited

Stocking Distributor

Click to view price, real time Inventory, Delivery & Lifecycle Information:

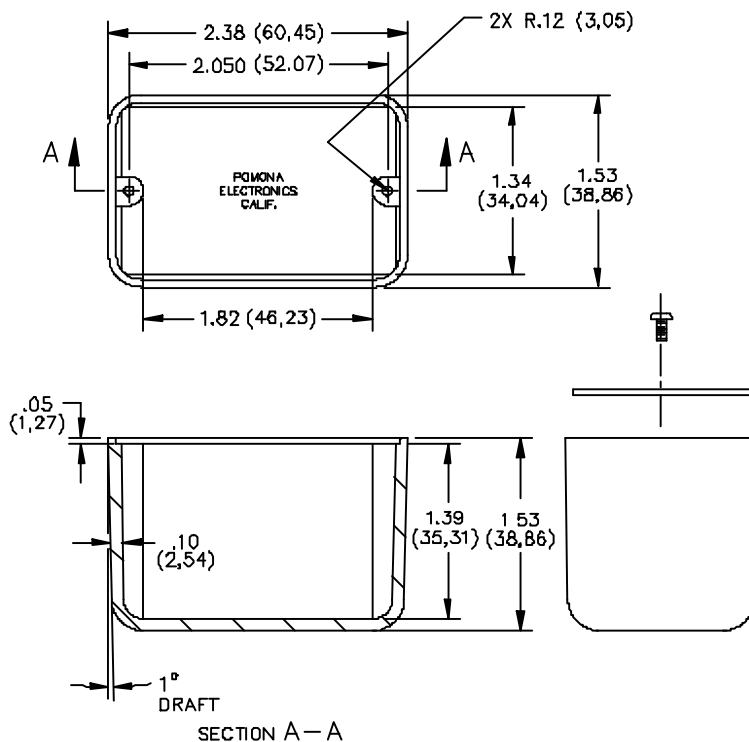
[Pomona Electronics](#)
[2104](#)

For any questions, you can email us directly:

sales@integrated-circuit.com

Pomona®

**Model 2104
 Phenolic Box With Cover**



MATERIALS:

Molded Housing: Electrical grade Phenolic. Color: Black

Cover: Phenolic Plate. Color: Black

Screws: #2-56 x 4.76 (3/16") Pan Head, Steel.

RATINGS:

Operating Temperature: +150°C. (+302°F.) Max.

ORDERING INFORMATION: Model 2104

All dimensions are in inches. Tolerances (except noted): .xx = ±.02" (.51 mm), .xxx = ±.005" (.127 mm).
 All specifications are to the latest revisions. Specifications are subject to change without notice.
 Registered trademarks are the property of their respective companies. Made in USA