

Excellent Integrated System Limited

Stocking Distributor

Click to view price, real time Inventory, Delivery & Lifecycle Information:

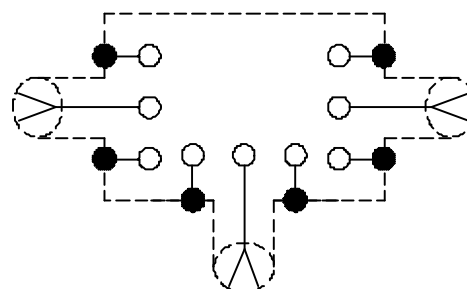
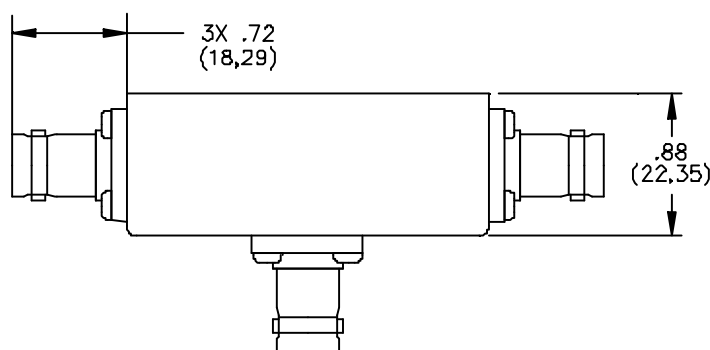
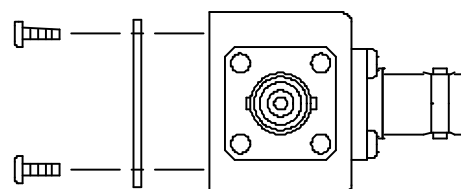
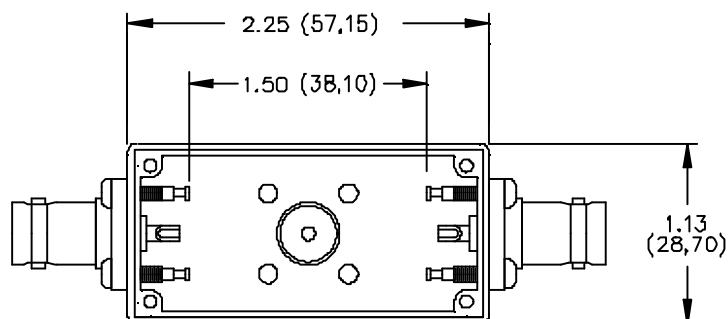
[Pomona Electronics](#)
[2392/POM](#)

For any questions, you can email us directly:

sales@integrated-circuit.com

Pomona®

Model 2392 Size A Aluminum Box With Cover BNC Female Tee



SCHEMATIC

MATERIALS:

Connector:

Body: Tarnish Resistant Plating, Center Contact: Female - Gold Plated Beryllium Copper

Solder Turret Terminal Screws: Steel 6 ea. #4-40

Shielded Housing: Die cast aluminum alloy A380 and A394

Finish: Blue baked enamel per Federal Standard 595 #25109 over Phosphoric Etch.

Cover: .040 thick aluminum 1100-H14

Finish: Clear anodized.

Marking: "Pomona Electronics Calif."

Screws: Steel 4 each 2-32 x 1/4" Pan Head, self-tapping.

RATINGS:

Operating Voltage: Inner conductor/shield: 500 VRMS Max.

Operating Temperature: -55°C to +150°C

Nominal Impedance: 50 Ohms

ORDERING INFORMATION: Model 2392

All dimensions are in inches. Tolerances (except noted): .xx = ±.02" (.51 mm), .xxx = ±.005" (.127 mm).

All specifications are to the latest revisions. Specifications are subject to change without notice.

Registered trademarks are the property of their respective companies. Made in USA