

Excellent Integrated System Limited

Stocking Distributor

Click to view price, real time Inventory, Delivery & Lifecycle Information:

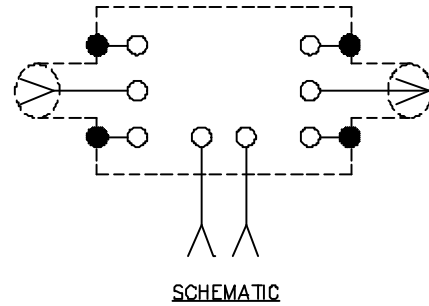
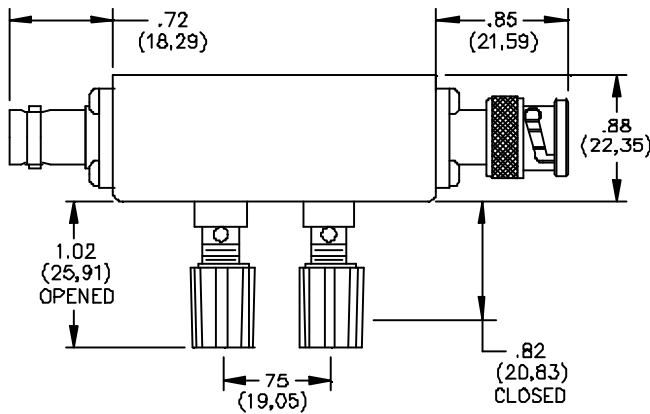
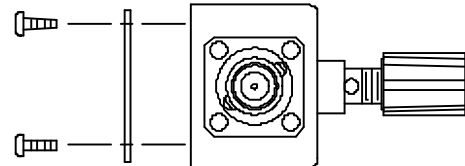
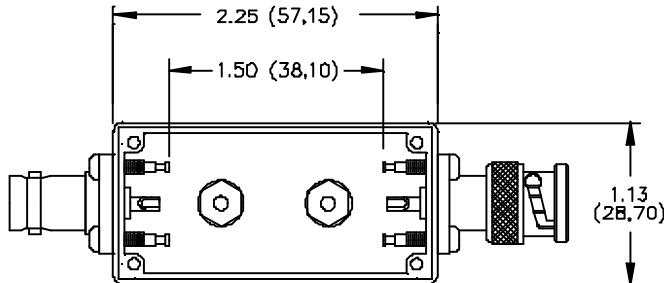
[Pomona Electronics](#)
[2393](#)

For any questions, you can email us directly:

sales@integrated-circuit.com

Pomona®

Model 2393
Size A Aluminum Box With Cover
BNC Female/BNC Male W/Binding Post



MATERIALS:

Connector: BNC (F)

Body: Tarnish Resistant Plating, Center Contact: Gold Plated Beryllium Copper

Screws: Steel, 4 ea. #4-40 x (3/16")

Shielded Housing: Die cast aluminum alloy A380 or A384

Finish: Blue paint per Federal Standard 595 #25109 over Phosphoric Etch

Binding Posts: Insulated. Binding Post Body, brass.

Insulation: Polycarbonate. Color: One Red and one Black

Insulating Washer: Nylon

Cover: .040 Thick aluminum #1100-H14

Screws: Steel 4 ea. #2-32 x 1/4" Pan Head, self-tapping.

RATINGS:

Voltage: Inner conductor/Shield: 500 VRMS Max.

Nominal Impedance: 50 Ohms

ORDERING INFORMATION: Model 2393

All dimensions are in inches. Tolerances (except noted): .xx = ±.02" (.51 mm), .xxx = ±.005" (.127 mm).

All specifications are to the latest revisions. Specifications are subject to change without notice.

Registered trademarks are the property of their respective companies. Made in USA