

Excellent Integrated System Limited

Stocking Distributor

Click to view price, real time Inventory, Delivery & Lifecycle Information:

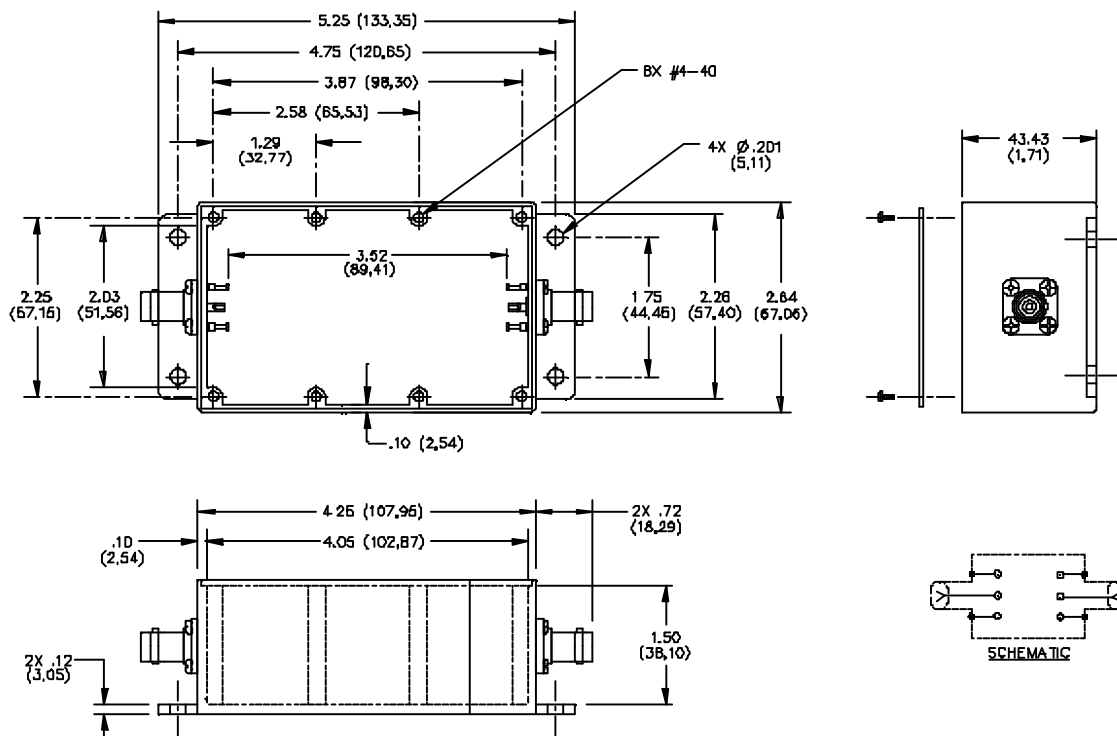
[Pomona Electronics](#)
[2902](#)

For any questions, you can email us directly:

sales@integrated-circuit.com

Pomona[®]

Model 2902 Size C Aluminum Box With Cover BNC Female/Female



MATERIALS:

Connector: BNC (F)

Body: Tarnish Resistant Plating, Center Contact: Gold Plated Beryllium Copper

Solder Turret Terminal Screws: Steel

Shielded Housing: Die cast aluminum alloy A380 or A384.

Finish: Blue baked enamel per Fed. Std. 595 25109 over Phosphoric Etch

Cover: 2.03mm (.080) thick aluminum #1100-H14

Finish: Clear anodized per MIL-A-8625

Screws: 4 each #4-40 x 6.35mm (1/4") per MS 35208-12 with clear irridite dip.

8 each #4-40 x 6.35mm (1/4") Phillips binding head. Steel

RATINGS:

Operating Voltage: Inner conductor/Shield: 1000 VRMS Max.

Operating Temperature: -55°C to +150°C

Nominal Impedance: 50 Ohms

ORDERING INFORMATION: Model 2902

All dimensions are in inches. Tolerances (except noted): .xx = ±.02" (.51 mm), .xxx = ±.005" (.127 mm).

All specifications are to the latest revisions. Specifications are subject to change without notice.

Registered trademarks are the property of their respective companies. Made in USA