

Excellent Integrated System Limited

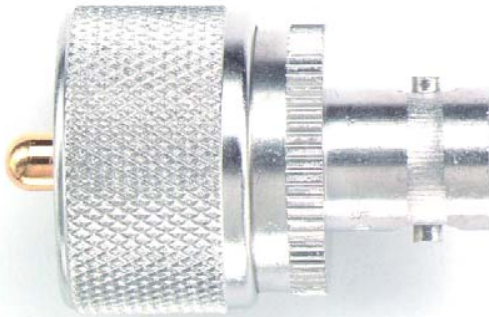
Stocking Distributor

Click to view price, real time Inventory, Delivery & Lifecycle Information:

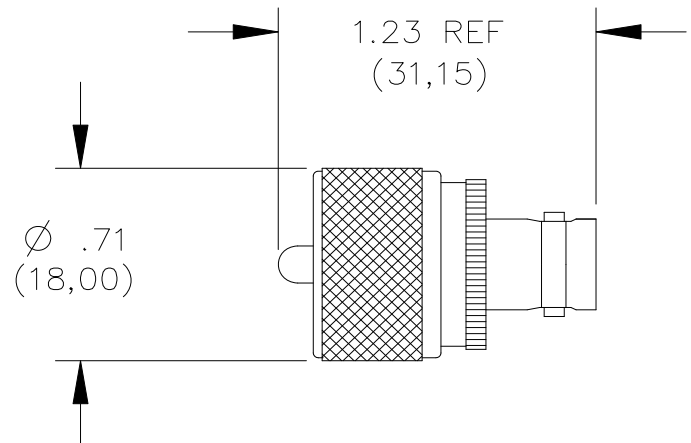
[Pomona Electronics](#)
[3286](#)

For any questions, you can email us directly:

sales@integrated-circuit.com

**Model 3286
Adapter, BNC (Female) to UHF (Male)**


Model 3286
Adapter, BNC (Female) to UHF (Male)



Materials

Body and Fittings – Brass, Tarnish Resistant Plating, Center Contact – Gold Plated Brass
Dielectric: PTFE

Ratings

Voltage: For *CE Compliance* and for personal safety, do not hold in hand when voltages exceed 33 Vrms/70 Vdc.
Maximum voltage for *hands free use*: 500 Vrms Max.

Operating Temperature: -55°C (-67°F) to +85°C (185°F)

Nominal Impedance: 50 Ohms

Ordering Information

Model: 3286

USA: Sales: 800-490-2361
Technical Support: technicalsupport@pomonatest.com
Fax: 425-446-5844

Europe: 31-(0) 40 2675 150 **International:** 425-446-5500

Where to Buy: www.pomonaelectronics.com

All dimensions are in inches. Tolerances (except noted): .xx = ±.02" (.51 mm), .xxx = ±.005" (.127 mm). All specifications are to the latest revisions. Specifications are subject to change without notice. Registered trademarks are the property of their respective companies.