

Excellent Integrated System Limited

Stocking Distributor

Click to view price, real time Inventory, Delivery & Lifecycle Information:

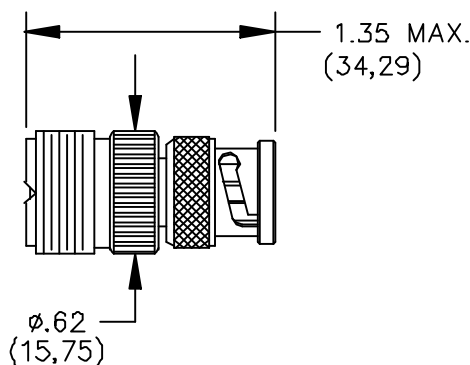
[Pomona Electronics](#)
[3287](#)

For any questions, you can email us directly:

sales@integrated-circuit.com

Pomona®

Model 3287
Adapter
UHF (Female) To BNC (Male)



MATERIALS:

Body and Fittings:

- Shell - Brass, Tarnish Resistant Plating
- Center Contact - Gold Plated Phosphor Bronze
- Dielectric - PTFE

RATING:

- Operating Voltage: Shield/Earth: 30VAC/60VDC Max.
- Inner Conductor/Shield: 500VRMS Max.
- Operating Temperature: -55°C to +85°C (-67°F) (+185°F)
- Nominal Impedance: Non-Constant Impedance.

ORDERING INFORMATION: Model 3287

All dimensions are in inches. Tolerances (except noted): .xx = ±.02" (.51 mm), .xxx = ±.005" (.127 mm).
 All specifications are to the latest revisions. Specifications are subject to change without notice.
 Registered trademarks are the property of their respective companies. Made in USA