

## Excellent Integrated System Limited

Stocking Distributor

Click to view price, real time Inventory, Delivery & Lifecycle Information:

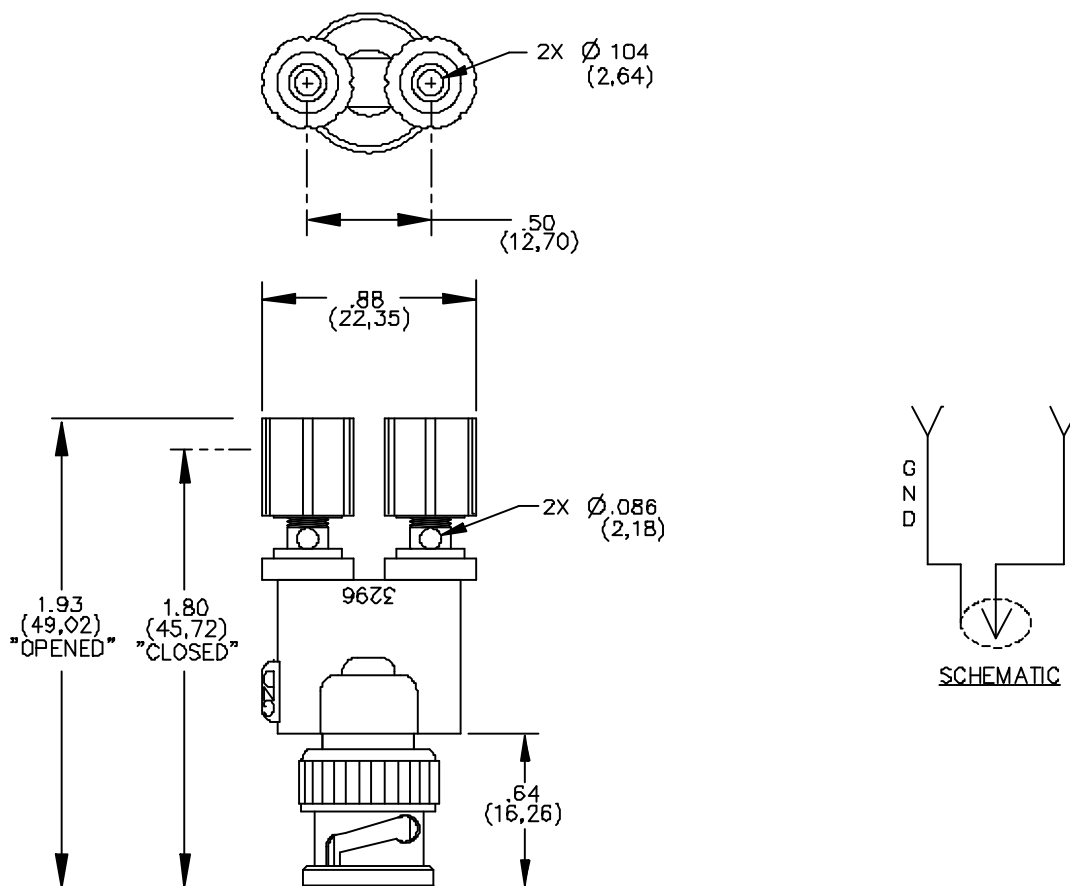
[Pomona Electronics](#)  
[3296](#)

For any questions, you can email us directly:

[sales@integrated-circuit.com](mailto:sales@integrated-circuit.com)

Pomona®

**Model 3296  
 Adapter, Miniature Binding Posts  
 To BNC Male**



**MATERIALS:**

Body: Brass, Tarnish Resistant Plating, Center Contact: Gold Plated Brass

Marking: "Pomona 3296"

**RATINGS:**

Operating Voltage: Shield/Earth: 30VAC/60VDC Max.

Inner conductor/Shield: 500VRMS Max.

Operating Temperature: +50°C. (+122°F.) Max.

**ORDERING INFORMATION: Model 3296**

All dimensions are in inches. Tolerances (except noted): .xx = ±.02" (.51 mm), .xxx = ±.005" (.127 mm).

All specifications are to the latest revisions. Specifications are subject to change without notice.

Registered trademarks are the property of their respective companies.

Made in USA

Pomona®

**Model 3296  
Adapter, Miniature Binding Posts  
To BNC Male**

All dimensions are in inches. Tolerances (except noted): .xx = ±.02" (.51 mm), .xxx = ±.005" (.127 mm).

All specifications are to the latest revisions. Specifications are subject to change without notice.

Registered trademarks are the property of their respective companies.

Made in USA

6/9/99

SY/EH/LS

S:\Engineering\Release\DataSheets\FIukeDataSheet\c3296\_1\_01.doc

**Sales: 800-490-2361 Fax: 888-403-3360**

**Technical Assistance: 800-241-2060**

PomonaACCESS **90761** (800) 444-6785 or (425) 446-6010

More drawings available at [www.pomonaelectronics.com](http://www.pomonaelectronics.com)

Page 2 of 2