

Excellent Integrated System Limited

Stocking Distributor

Click to view price, real time Inventory, Delivery & Lifecycle Information:

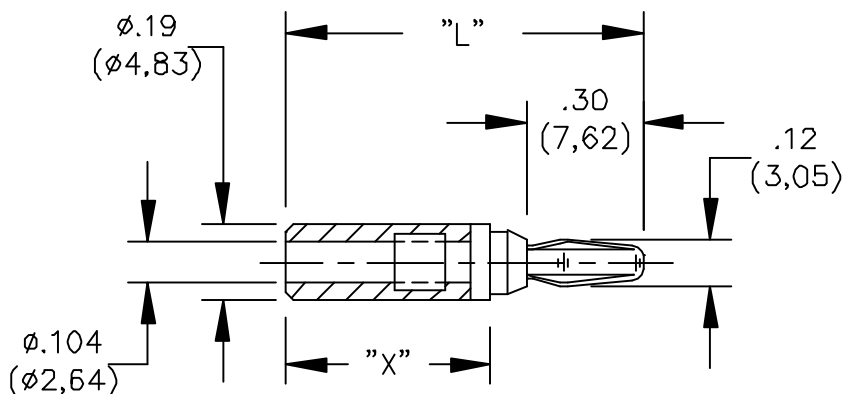
[Pomona Electronics](#)
[3690-0](#)

For any questions, you can email us directly:

sales@integrated-circuit.com

Pomona[®]

**Model 3690 & 4617
 Do-It-Yourself Solder Type
 Miniature Banana Plug**



Model 3690 "X" = (11,43mm) 0.45"

"L" = (22,61mm) 0.89"

Model 4617 "X" = (25,40mm) 1.00"

"L" = (36,32mm) 1.43"

FEATURES:

- Supports 20 to 22 AWG wires.
- Allows creation of custom patch cord lengths.
- Insulator unthreads to allow easy Do-It-Yourself wire soldering.
- Banana plug body & spring are gold plated for corrosion resistance and optimum electrical connection between plug and jack.
- Banana plug spring is Beryllium Copper for superior spring shape retention to ensure long insertion life.

MATERIALS:

Insulator Cap: Nylon, Color per part number

Miniature Banana Plug: Body – Brass, Gold Plated

Spring – Beryllium Copper, Gold Plated

RATINGS:

Operating Voltage: 2500 VDC

Operating Temperature: +80°C (+176°F)

Current: 5 Amperes Max.

ORDERING INFORMATION: Models 3690-* & 4617-*

* = Color, -0 Black, -2 Red

All dimensions are in inches and metric. All specifications are to the latest revisions. Specifications are subject to change without notice.
 Registered trademarks are the property of their respective companies. Made in USA