

## Excellent Integrated System Limited

Stocking Distributor

Click to view price, real time Inventory, Delivery & Lifecycle Information:

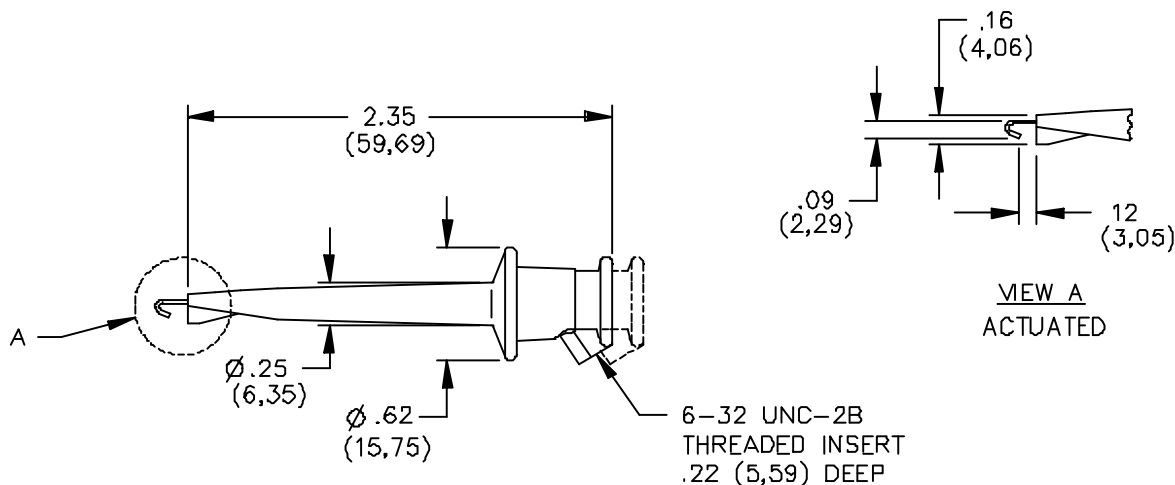
[Pomona Electronics](#)  
[4011-0](#)

For any questions, you can email us directly:

[sales@integrated-circuit.com](mailto:sales@integrated-circuit.com)

# Pomona®

## Model 4011 Minigrabber® With 6-32 Threaded Insert



### FEATURES:

- This grabber test clip can be used with oscilloscope leads equipped with a 6-32 screw.
- Use with Model #4311 to make custom cables.

### MATERIALS:

#### Minigrabber:

Contact: Beryllium Copper, Alloy 165 per QQ-C-533.

Spring: Stainless steel, CRES 302, passivated.

Threaded Insert: Brass per QQ-B-626,

Alloy 360, ½ Hard.

#### Finish:

Contact: Gold plated per MIL-G-45204, Type 1, Class 00

#### Insulation:

Glass filled Nylon

Color: See ordering instructions.

Marking: "MINIGRABBER®" "POMONA"

### RATINGS:

Operating Temperature: +102°C. (+216°F.) Max.

Operating Voltage: 30VAC/60VDC

Current: 5 Amperes

### ORDERING INFORMATION: Model 4011-\*

\*=Color, -0 Black, -2 Red

Ordering Example: 4011-2 Adapter Color is Red

Additional colors are available upon request.

All dimensions are in inches. Tolerances (except noted): .xx = ±.02" (.51 mm), .xxx = ±.005" (.127 mm).

All specifications are to the latest revisions. Specifications are subject to change without notice.

Registered trademarks are the property of their respective companies. Made in USA