

Excellent Integrated System Limited

Stocking Distributor

Click to view price, real time Inventory, Delivery & Lifecycle Information:

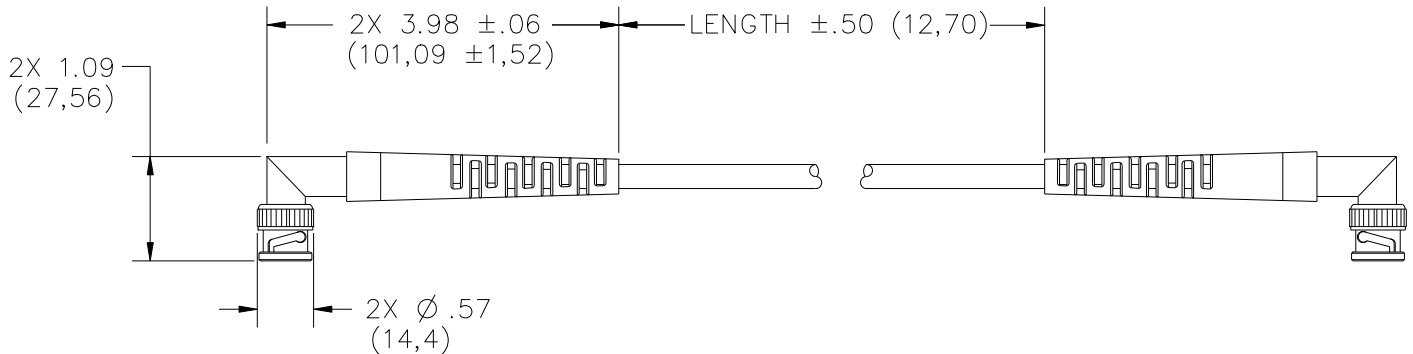
[Pomona Electronics](#)
[4276-C-12](#)

For any questions, you can email us directly:

sales@integrated-circuit.com

Pomona®

Model 4276-C-#
BNC Male Right Angle Both Ends



FEATURES:

- This cable assembly is similar to our model 2249-C except with right angle connectors.
- It is designed to access those BNC connectors in tight locations such as found in the back of rack mounted equipment.
- The right angle connectors are impedance matched to provide the best signal quality.
- These cables are made of the highest quality materials and assembly procedures.

MATERIALS:

BNC: Body: Brass, tarnish resistant plating
 Center Contacts: Brass, gold plating
 Strain Relief: PVC, molded onto cable and connector
 Cable: RG58C/U, 50 Ohm, .195 OD

RATINGS:

Voltage:Shield/Earth: 30VAC/60VDC Max.
 Inner Conductor/Shield: 500VRMSMax.
 Operating Temperature: +50° C (+122° F)
 Nominal Impedance: 50 Ohms

ORDERING INFORMATION: Model 4276-C-XX

XX = Cable length in inches
 Std. Lengths: 12" (30,5 cm), 24" (61 cm), 36" (91.44 cm)
 Additional lengths can be quoted upon request.
 Ordering Example: 4276-C-36 is a cable with a length of 36"

All dimensions are in inches. Tolerances (except noted): .xx = ±.02" (.51 mm), .xxx = ±.005" (.127 mm).
 All specifications are to the latest revisions. Specifications are subject to change without notice.
 Registered trademarks are the property of their respective companies. Made in USA