

Excellent Integrated System Limited

Stocking Distributor

Click to view price, real time Inventory, Delivery & Lifecycle Information:

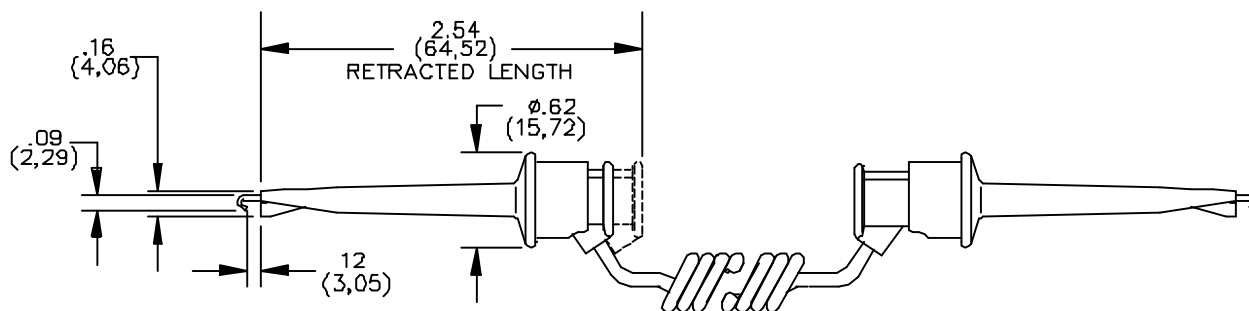
[Pomona Electronics](#)
[4537-0](#)

For any questions, you can email us directly:

sales@integrated-circuit.com

Pomona®

Model 4537
Patch Cord, Minigrabber® Test Clip
Each End With Retractable Cord



MATERIALS:

Body: Center Contact – Gold Plated Beryllium Copper, Spring: Stainless Steel

Insulation: Glass filled nylon. Color matches color of wire.

20 AWG Retractable Cord, .087 O.D. Extended Length: 48”

RATINGS:

Voltage: Hand-held testing: 30VAC/60VDC Max.

Hands free testing in controlled voltage environments 300 WVDC Max.

Operating Temperature: +60°C. (+140°F.) Max.

Current: 5 Amperes

ORDERING INFORMATION: Model 4537

Standard Colors: -0 Black, -2 Red

All dimensions are in inches. Tolerances (except noted): .xx = ±.02” (.51 mm), .xxx = ± .005” (.127 mm).

All specifications are to the latest revisions. Specifications are subject to change without notice.

Registered trademarks are the property of their respective companies. Made in USA

Pomona®

Model 4537
Patch Cord, Minigrabber® Test Clip
Each End With Retractable Cord

All dimensions are in inches. Tolerances (except noted): .xx = ±.02" (.51 mm), .xxx = ±.005" (.127 mm).

All specifications are to the latest revisions. Specifications are subject to change without notice.

Registered trademarks are the property of their respective companies. Made in USA