



Distributor of Pomona Electronics: Excellent Integrated System Limited

Datasheet of 4772-12-0 - PIN TIP PLUG/.025 SQ RCPT 12"BLK

Contact us: sales@integrated-circuit.com Website: www.integrated-circuit.com

Excellent Integrated System Limited

Stocking Distributor

Click to view price, real time Inventory, Delivery & Lifecycle Information:

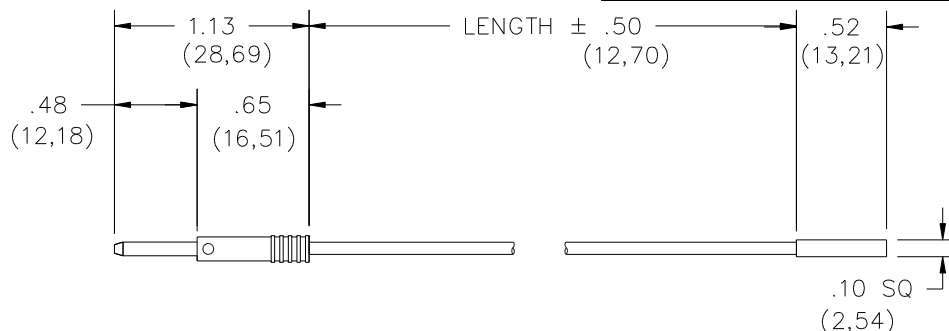
[Pomona Electronics](#)
[4772-12-0](#)

For any questions, you can email us directly:

sales@integrated-circuit.com

Pomona®

Model 4772
Square Pin Receptacle To 2.0
(.080) Pin Tip Plug



FEATURES:

- This patch cord can be used as a jumper between 0.6 (.025) sq. pins and equipment with 2.0 (.080) dia. pin jacks.

MATERIALS:

Conn: Pin Tip Plug

Material: Brass per QQ-B-626, Alloy 360, ½ Hard.

Finish: Gold plated per MIL-G-45204, Type II, Class 00, over electroless nickel per MIL-C-26074, Class 1, (.0002/.0003).

Insulation: Polypropylene molded to plug body and wire.

Color: Matches color of wire.

Marking: "POMONA ELECTRONICS POMONA CALIF."

Wire: 22 AWG, stranded, 19 x 34 T.C., PVC insulated, 1.63 (.064) O.D.

Color: See Ordering Information. Marking: "POMONA 4772-XX"

Conn: .64 (.025) Square Pin Receptacle

Material: Phosphor Bronze.

Finish: Gold Plated

Housing Insulation: Polypropylene

Color: Black.

RATINGS: Entire Assembly

Operating Temperature: +50°C. (+122°F.) Max.

Operating Voltage: 1000 W VDC

Current: 3 Amperes Cont.

ORDERING INFORMATION: Model 4772-XX-*

XX = Cable Lengths, Standard Lengths: 24" (610)

Additional lengths can be quoted upon request.

*=Color, -0 Black, -2 Red

Ordering Example: 4772-24-2 Indicates 24" in length, color is Red

All dimensions are in inches. Tolerances (except noted): .xx = ±.02" (.51 mm), .xxx = ±.005" (.127 mm).

All specifications are to the latest revisions. Specifications are subject to change without notice.

Registered trademarks are the property of their respective companies. Made in USA

6/9/99

SY/EH/LS

W:\pomona\grponly\Datasheet Updates\Updates 2005\d4772_1_02.doc

More drawings available at www.pomonaelectronics.com

Page 1 of 1