

Excellent Integrated System Limited

Stocking Distributor

Click to view price, real time Inventory, Delivery & Lifecycle Information:

[Pomona Electronics](#)
[4826-0](#)

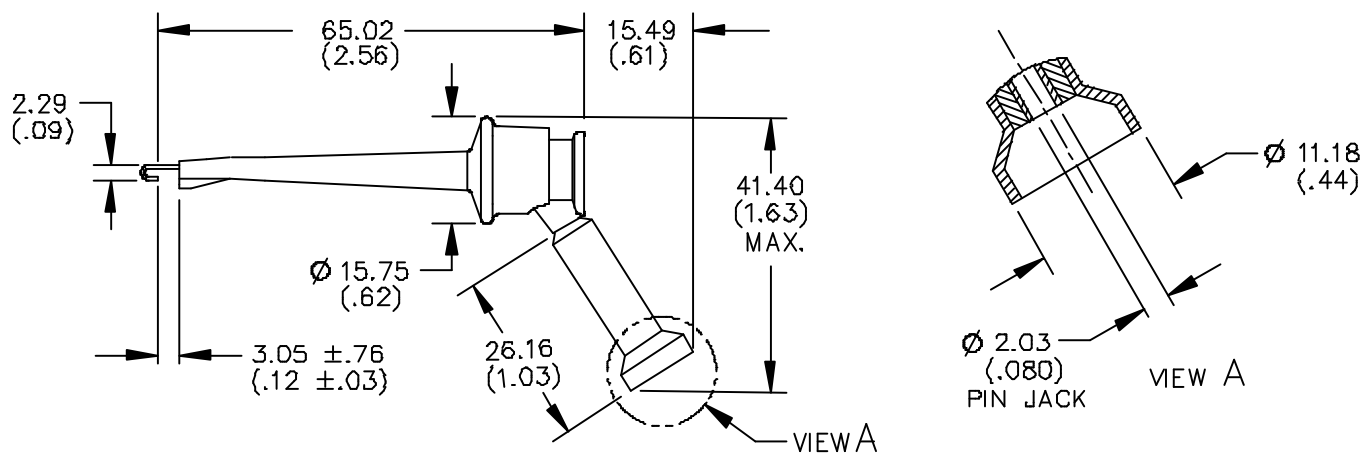
For any questions, you can email us directly:

sales@integrated-circuit.com

Pomona®

Model 4826

Minigrabber® Test Clip With Pin Jack



FEATURES:

- This Minigrabber® test clip has a pin jack built right into the plunger.
- Excellent for attaching the Grabber test clip directly to the end of a pin tip patch cord or it can be used as an adapter for miniature test probes with 2.0 (.080) tips.

MATERIALS:

Contact: Beryllium Copper per QQ-C-533, Alloy 165.

Spring: Stainless steel, 302

Pin Tip Jack : Brass per QQ-B-626, Alloy 360, 1/2 Hard.

Pin Tip Jack Spring: Beryllium Copper, Berylco 25 per QQ-C-533, Cond. HT.

Finish:

Contact: Gold plated per MIL-G-45204,

Class 00

Pin Tip Jack: Gold plated per MIL-G-45204, Type II, Class 00 over electroless nickel per MIL-C-26074, Class 1, 200/300 microinches.

Insulation:

Glass filled Nylon:

Marking: "POMONA ELECTRONICS, CALIF." "4826" "MINIGRABBER®",

RATINGS:

Operating Temperature: +102°C. (+216°F) Max.

Operating Voltage: 30VAC/60VDC

Current: 5 Amperes

ORDERING INFORMATION: Model 4826-*

*=Color, -0 Black, -2 Red, -9 White

Ordering Example: 4826-2 Adapter Color is Red.

All dimensions are in inches. Tolerances (except noted): .xx = ±.02" (.51 mm), .xxx = ± .005" (.127 mm).

All specifications are to the latest revisions. Specifications are subject to change without notice.

Registered trademarks are the property of their respective companies. Made in USA