

## **Excellent Integrated System Limited**

Stocking Distributor

Click to view price, real time Inventory, Delivery & Lifecycle Information:

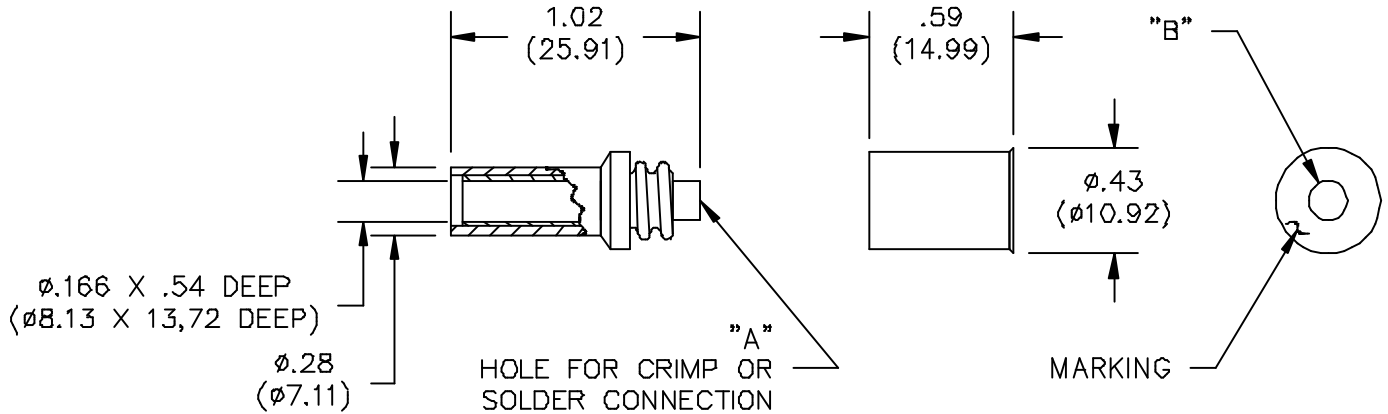
[Pomona Electronics](#)  
[4934-0](#)

For any questions, you can email us directly:

[sales@integrated-circuit.com](mailto:sales@integrated-circuit.com)

**Pomona<sup>®</sup>**

**Models 4934 & 4987  
Do-It-Yourself In-Line  
Sheathed Banana Jacks**



Model #:	Dimension "A"	Dimension "B"	Accepts Wire AWG:
4934	.062" (1.57mm)	.160" (4.06mm)	18, 20, 22
4987	.120" (3.05mm)	.200" (5.08mm)	14, 16

- Threaded two piece design allows wires to be soldered or crimped to the banana jack body.
- Heavy-duty plastic body withstands cracking if accidentally dropped.
- Fits into Pomona Models 4933 & 4986 Banana Plugs.

**MATERIALS:**

Banana Jack: Body – Brass, Nickel Plated

Insulation: Nylon, Color per part number

Threaded Handle: Nylon, Color per part number, Marking: "POMONA ELECT." & Part Number

**RATINGS:**

Operating Voltage: 1,200 Volts (AC/DC)

Current: 15 Amps Max.

Operating Temperature: +80°C (+176°F)

**ORDERING INFORMATION:** 4934-\* or 4987-\*

\* = Color Code, Standard Colors: -0 Black, -2 Red

All dimensions are in Inches (Millimeters). Tolerances (except as noted): .xx = ±.02" (.51mm), .xxx ± .005" (.127mm)

All specifications are to the latest revisions. Specifications are subject to change without notice. Registered trademarks are the property of their respective companies.

Made in USA