



Distributor of Pomona Electronics: Excellent Integrated System Limited

Datasheet of 4996-12-0 - MAXIGRABBER/BANANA PLUG 12" BLK

Contact us: sales@integrated-circuit.com Website: www.integrated-circuit.com

Excellent Integrated System Limited

Stocking Distributor

Click to view price, real time Inventory, Delivery & Lifecycle Information:

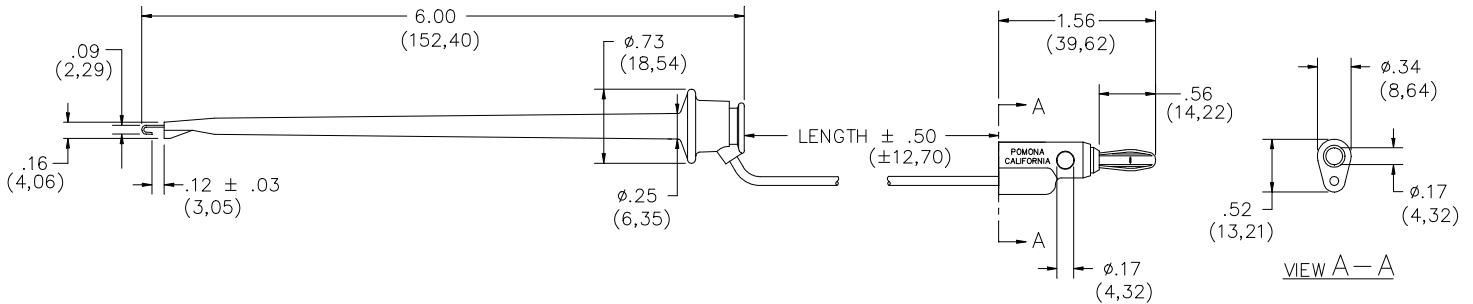
[Pomona Electronics](#)
[4996-12-0](#)

For any questions, you can email us directly:

sales@integrated-circuit.com

Pomona®

**Model 4996
 Maxigrabber® Test Clip To
 Stacking Banana Plug**



FEATURES:

- Ideal for connecting test equipment to hard-to-reach circuit board components.
- Banana Plug is vertically stackable and cross stackable.
- Banana plug will mate to Model #5259, 1581 or any standard Banana Jack..

MATERIALS:

Conn: 1st End - Maxigrabber®

Material: Contact – Beryllium Copper per QQ-C-533, Alloy 165, ¼ HM.

Spring – Stainless Steel, Alloy 302.

Finish: Contact – Gold plated per MIL-G-45204, Type I, Class 00.

Insulation: Glass filled nylon. Color matches color of wire.

Marking: “MAXIGRABBER®.”

Wire: 20 AWG, stranding 41 x 36 t.c., PVC insulated 2.21 (.087) O.D.

Color: See Ordering Information. Marking: “POMONA 4996-*. ”

Conn: 2nd End – Standard Stacking Banana Plug

Material: Spring – Beryllium Copper per QQ-C-533, Alloy 172, cond. HT.

Body – Brass per QQ-B-626, Alloy 360, ½ Hard.

Finish: Nickel plated per QQ-N-290, Class 2, 200/300 microinches.

Insulation: Polypropylene molded to plug body and wire. Color matches color of wire.

RATINGS:

Operating Temperature: +55°C (+131°F) Max.

Voltage: Hand-held testing: 30VAC/60VDC Max.

Hands free testing in controlled voltage environments: 300 WVDC Max.

Current: 5 Amperes

ORDERING INFORMATION: Model 4996-XX-*

XX = Cable Lengths, Standard Lengths: 36” (914mm)

Additional lengths can be quoted upon request.

*= Color, -0 Black, -2 Red

Ordering Example: 4996-36-2 Indicates 36” in length, color is Red.

All dimensions are in inches. Tolerances (except noted): .xx = ±.02” (.51 mm), .xxx = ± .005” (.127 mm).

All specifications are to the latest revisions. Specifications are subject to change without notice.

Registered trademarks are the property of their respective companies. Made in USA