

Excellent Integrated System Limited

Stocking Distributor

Click to view price, real time Inventory, Delivery & Lifecycle Information:

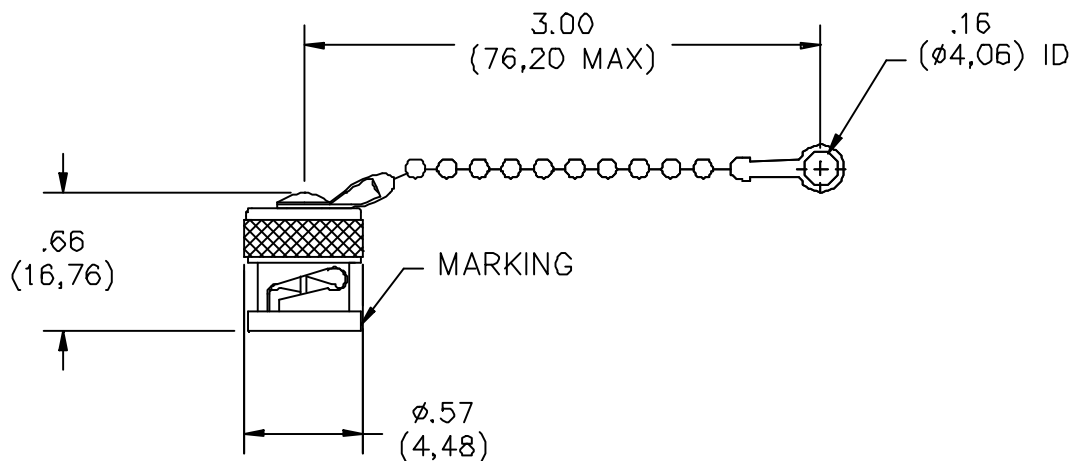
[Pomona Electronics](#)
[5085](#)

For any questions, you can email us directly:

sales@integrated-circuit.com

Pomona®

Model 5085
BNC Shorting Cap (M)



FEATURES:

- Use to provide protection and supply a short across an input.
- 3" long chain.

MATERIALS:

Body: Brass, Tarnish Resistant Plating

Center Contact: Brass

Gasket – Silicone Gasket

Bead Chain: Steel or Brass

Finish: Body – Tarnish Resistant

Center Contact – Gold Plated

Bead Chain – Tarnish Resistant

Marking: “Pomona 5085” located approximately as shown.

ORDERING INFORMATION: Model 5085

All dimensions are in inches. Tolerances (except noted): .xx = ±.02” (.51 mm), .xxx = ± .005” (.127 mm).

All specifications are to the latest revisions. Specifications are subject to change without notice.

Registered trademarks are the property of their respective companies.

Made in USA