

Excellent Integrated System Limited

Stocking Distributor

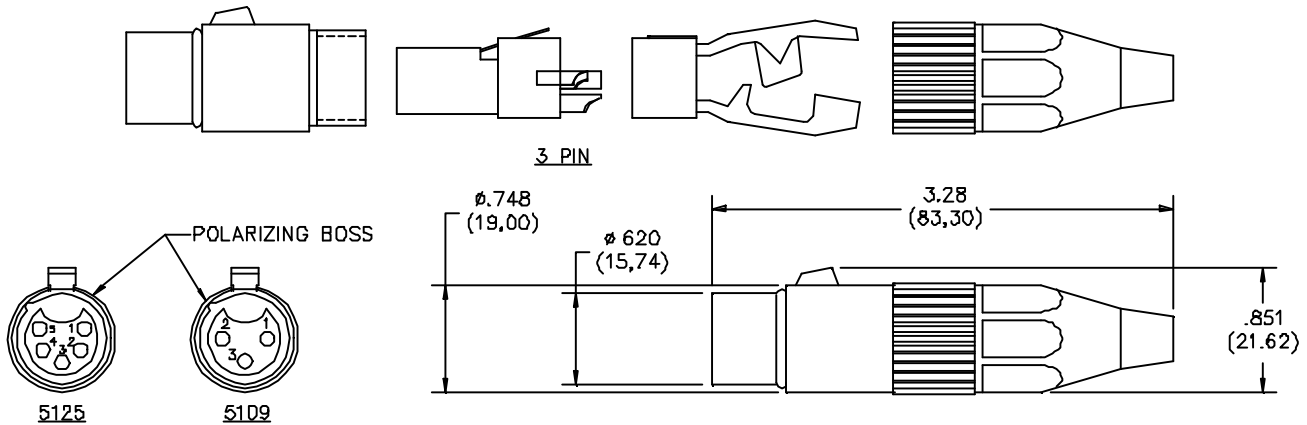
Click to view price, real time Inventory, Delivery & Lifecycle Information:

[Pomona Electronics](#)
[5109/POM](#)

For any questions, you can email us directly:
sales@integrated-circuit.com

Pomona®

**Model 5109 & 5125
 Connector Audio, Straight
 Cord, Female, 3 & 5 Conductor**



FEATURES:

- Model 5109 Mates to Model # 5117 wall mount male receptacle.
- Model 5125 Mates to Model # 5130 wall mount male receptacle.
- Model 5109 Will accept standard 3 pin XLR male jacks.
- Model 5125 Will accept standard 5 pin XLR male jacks.
- Durable Zinc alloy housing.
- Model 5109 Accepts up to 14 AWG wire.
- Model 5125 Accepts up to 18 AWG wire.

MATERIALS:

Housing: Zinc or Aluminum Alloy with a nickel finish.

Contacts: Copper Alloy with a silver plate finish.

Barrel: Steel with nickel plating.

Insulator & Bushing: Gray Elastomer.

RATINGS:

Operating Voltage: 133 VRMS/DC.

Current: 15 Amperes.

ORDERING INFORMATION: Models 5109, 5125

All dimensions are in inches. Tolerances (except noted): .xx = ±.02" (.51 mm), .xxx = ±.005" (.127 mm).

All specifications are to the latest revisions. Specifications are subject to change without notice.

Registered trademarks are the property of their respective companies. Made in USA