

Excellent Integrated System Limited

Stocking Distributor

Click to view price, real time Inventory, Delivery & Lifecycle Information:

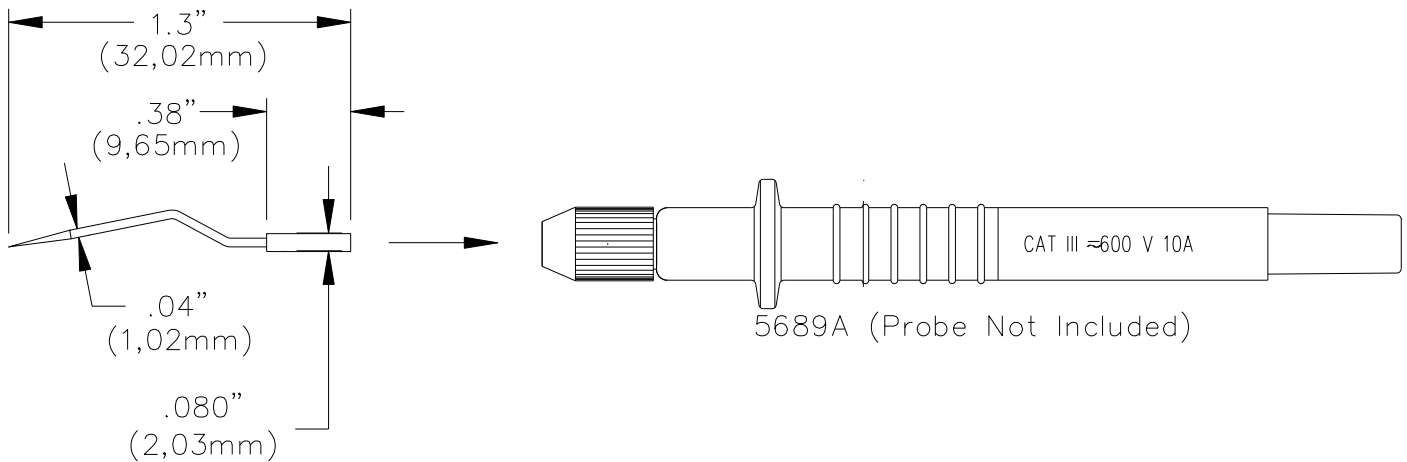
[Pomona Electronics](#)
[5133](#)

For any questions, you can email us directly:

sales@integrated-circuit.com



Model 5133
Test Lead Replaceable
Micro Tip **CE**



FEATURES:

- ✓ Dog Leg is flexible to maintain contact with test points
- ✓ Sharp point pierces surface contamination
- ✓ Used on Pomona Model numbers 5689A, 5144, 5677B

RATINGS:

Operating Voltage: Hands free usage in controlled voltage environments: 600 Vrms maximum. *For CE compliance: not intended for hand-held use at voltages above 33 Vrms/70 Vdc.*

Current: 5 Amps

MATERIALS:

Stainless Steel tip, sleeve nickel plated brass Alloy 360, 1/2 hard

ORDERING INFORMATION: Model 5133

Parts are packaged 10 per bag

All dimensions are in inches. Tolerances (except noted): .xx = ±.02" (.51 mm), .xxx = ± .005" (.127 mm).

All specifications are to the latest revisions. Specifications are subject to change without notice.

Registered trademarks are the property of their respective companies.

Sales: 800-490-2361 Fax: 888-403-3360 Technical Support: 800-241-2060 (technicalsupport@pomonatest.com)
 For "Where to Buy" information, visit the Pomona web site at www.pomonaelectronics.com