

## **Excellent Integrated System Limited**

Stocking Distributor

Click to view price, real time Inventory, Delivery & Lifecycle Information:

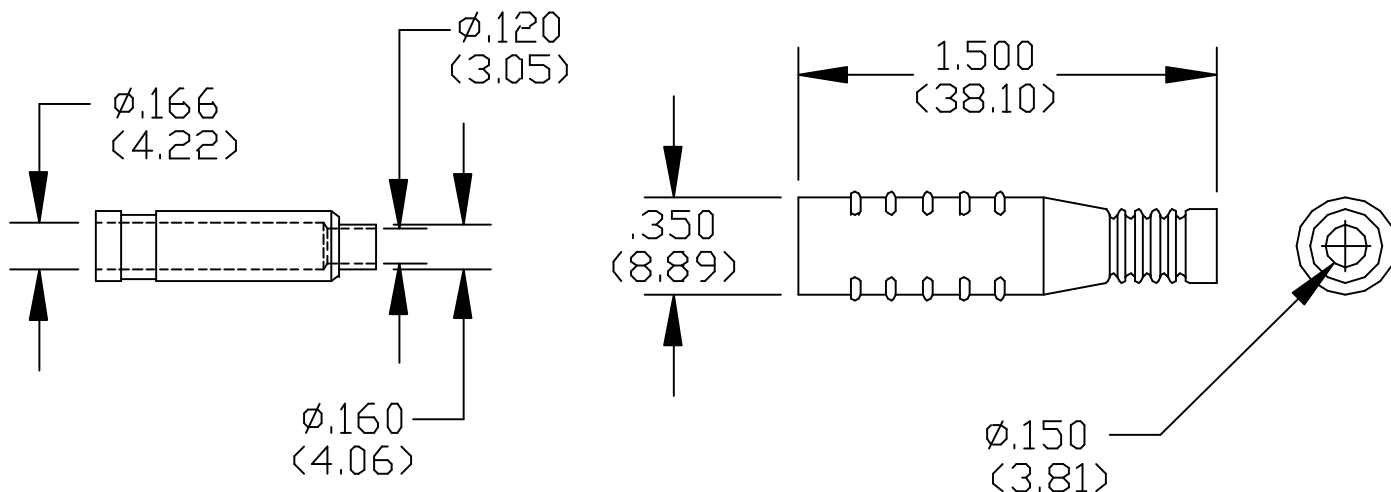
[Pomona Electronics](#)  
[5168-0](#)

For any questions, you can email us directly:

[sales@integrated-circuit.com](mailto:sales@integrated-circuit.com)

Pomona®

**Model 5168**  
**Do-It-Yourself In-Line Banana**  
**Jack With Flexible Boot**



**FEATURES:**

- Ideal for making test cables and field repairs.
- Use with Model #5170 Banana Plug to make extension cables.
- Snap-on two piece design allows the wire to be crimped or soldered.
- Part will accept 14, 16 AWG wire, crimp or solder connection.

**MATERIALS:**

In-Line Banana Jack  
 Brass per QQ-B-626, Alloy 360, ½ Hard.  
 Insulation: Flexible PVC  
 Marking: "POMONA"  
 Finish: Nickel plated per QQ-N-290, Class 2, 200/300 micro-inches.

**RATINGS:** (Independent of Wire)

Operating Temperature: +50°C. (+122°F.) Max.  
 Voltage: Hand-held testing: 30VAC/60VDC Max.  
 Hands free testing in controlled voltage environments: 5000 WVDC Max.  
 Current: 15 Amperes.

**ORDERING INFORMATION:** Model 5168-\*

\*=Color, -0 Black, -2 Red

Ordering Example: 5168-2, Color is Red

Colors other than those specified are available on request.

All dimensions are in inches. Tolerances (except noted): .xx = ±.02" (.51 mm), .xxx = ±.005" (.127 mm).  
 All specifications are to the latest revisions. Specifications are subject to change without notice.  
 Registered trademarks are the property of their respective companies. Made in USA