

Excellent Integrated System Limited

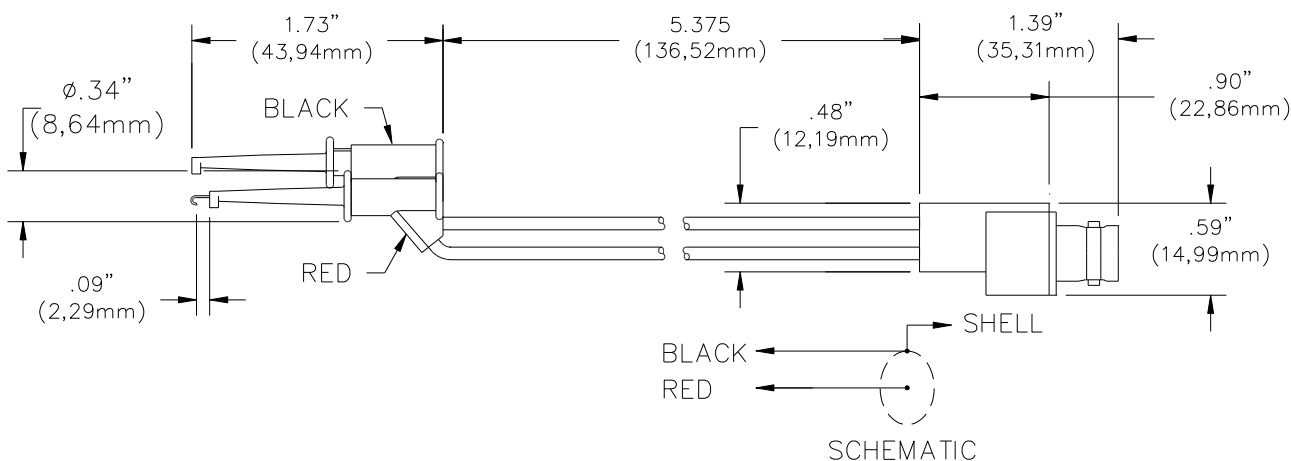
Stocking Distributor

Click to view price, real time Inventory, Delivery & Lifecycle Information:

[Pomona Electronics](#)
[5188](#)

For any questions, you can email us directly:

sales@integrated-circuit.com



FEATURES:

- Breakout converts BNC (Male) cables/connectors to Micrograbber® test clips for test versatility
- BNC connector and Micrograbber test clip cap are molded directly to the wire for pull strength durability and dust/moisture resistance
- Micrograbber test clip hook is Beryllium Copper for superior strength
- Micrograbber test clip hook and BNC center contact are gold plated for optimum corrosion resistance and low contact resistance

MATERIALS:

- BNC: Nickel plated Brass
- Center Contact: Gold plated Beryllium Copper
- Wire: 20 AWG, PVC
- Marking: Model 5188
- Micrograbber test clip:
 - Contact: Gold plated Beryllium Copper
 - Spring: stainless steel
 - Insulation: Glass filled nylon, color: one red, one black

RATINGS:

- Operating Temperature: +55°C (+131°F) Max.
- Operating Voltage: Hand-held testing: 30VAC/60VDC Max.
- Hands free testing in controlled voltage environments: 150 VRMS

ORDERING INFORMATION: Model 5188

*Custom lengths are available, contact Pomona Technical support: 800-241-2060 (Technicalsupport@pomonatest.com)

All dimensions are in inches. Tolerances (except noted): .xx = ±.02" (.51 mm), .xxx = ±.005" (.127 mm). All specifications are to the latest revisions. Specifications are subject to change without notice. Registered trademarks are the property of their respective companies.