

Excellent Integrated System Limited

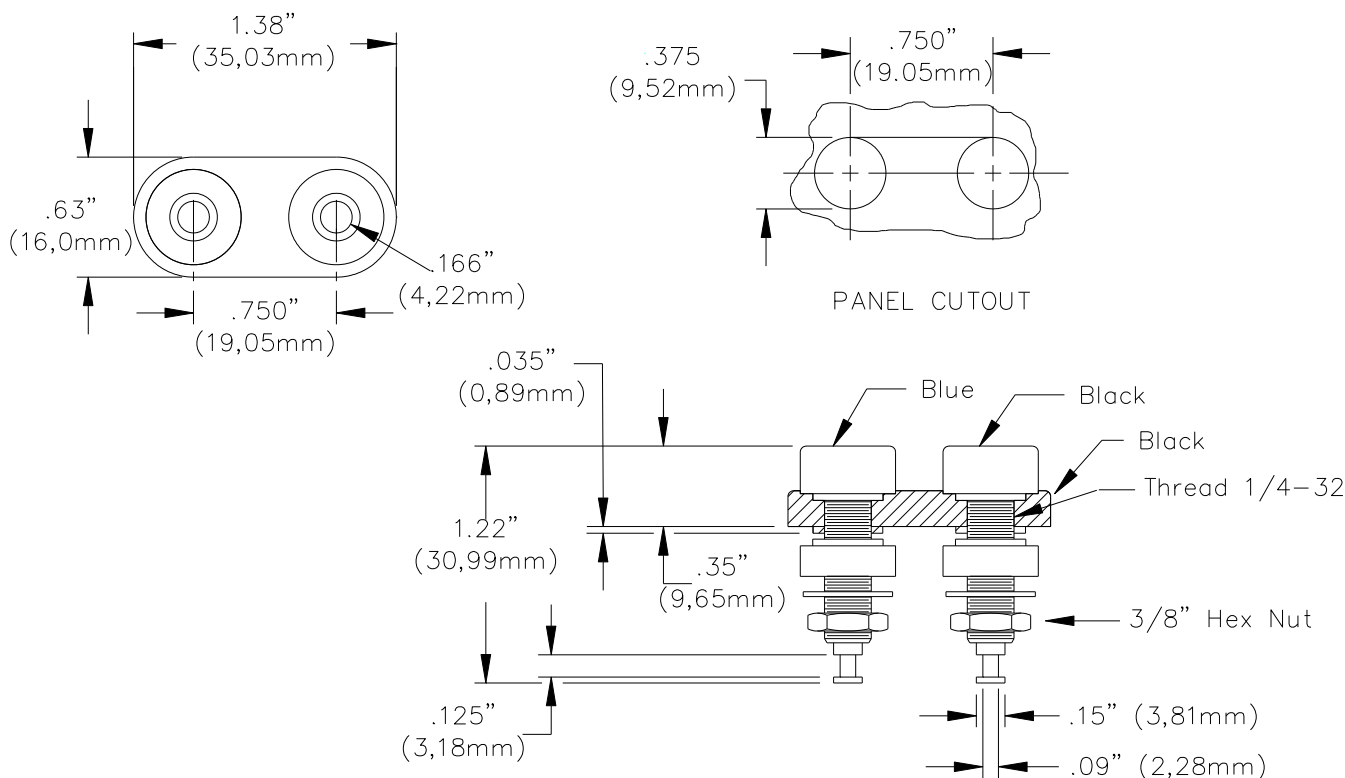
Stocking Distributor

Click to view price, real time Inventory, Delivery & Lifecycle Information:

[Pomona Electronics](#)
[5233-0](#)

For any questions, you can email us directly:

sales@integrated-circuit.com



FEATURES:

- ✓ High temperature insulation material for use up to +428°F, (+220°C).
- ✓ Mounts in panels from .070" to .375" (1.60mm to 9.53mm).
- ✓ Mates with Pomona's MDP and all standard double banana plugs.
- ✓ Ideal for mounting to panels or chassis boxes.

MATERIALS:

Banana Jack Insulation: Polyphenylene Sulfide Molded to Banana Jack Bodies, Color Blue and Black

Mounting Plate: Polyphenylene Sulfide, Color Black

Insulator: Polyphenylene Sulfide

Hex Nut: 3/8" 1/4-32: Nickel Plated Brass

Lockwasher: 1/4 Internal Tooth, Nickel Plated Steel

Banana Jack Body/Solder Turret: Brass, H.H. per QQ-B-626, Alloy 360, 1/2 Hard.

Finish, Banana Jack Body/Solder Turret: Bright tin plated per MIL-T-10727.

RATINGS:

Operating Voltage: Hands free usage in controlled voltage environments: 2500 Vrms maximum. *For CE compliance:* not intended for hand-held use at voltages above 33 Vrms/70 Vdc.

Current: 15 Amperes

Operating Temperature: +428°F (+220°C).

All dimensions are in inches. Tolerances (except noted): .xx = ±.02" (.51 mm), .xxx = ±.005" (.127 mm).

All specifications are to the latest revisions. Specifications are subject to change without notice.

Registered trademarks are the property of their respective companies.

Sales: 800-490-2361 Fax: 888-403-3360 Technical Support: 800-241-2060 (technicalsupport@pomonatest.com)
 For "Where to Buy" information, visit the Pomona web site at www.pomonaelectronics.com



Model 5233
High Temperature Double
Banana Jack **CE**

ORDERING INFORMATION:

Model: 5233-0 (Black base with one black and one blue banana jack)

All dimensions are in inches. Tolerances (except noted): .xx = ±.02" (.51 mm), .xxx = ±.005" (.127 mm).

All specifications are to the latest revisions. Specifications are subject to change without notice.

Registered trademarks are the property of their respective companies.

Sales: 800-490-2361 Fax: 888-403-3360 Technical Support: 800-241-2060 (technicalsupport@pomonatest.com)
For "Where to Buy" information, visit the Pomona web site at www.pomonaelectronics.com