



Distributor of Pomona Electronics: Excellent Integrated System Limited

Datasheet of 5270-12-0 - RETR SHETH BANA/MINI GRAB 12"BLK

Contact us: sales@integrated-circuit.com Website: www.integrated-circuit.com

Excellent Integrated System Limited

Stocking Distributor

Click to view price, real time Inventory, Delivery & Lifecycle Information:

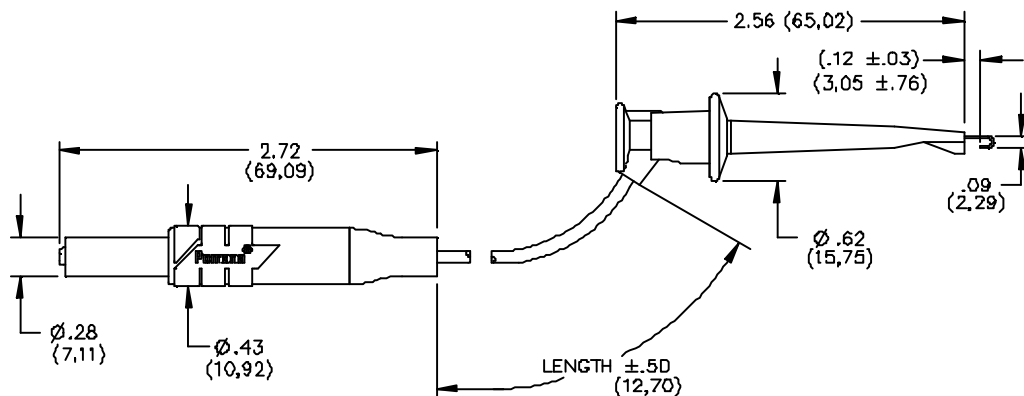
[Pomona Electronics](#)
[5270-12-0](#)

For any questions, you can email us directly:

sales@integrated-circuit.com

Pomona®

Model 5270
Retractable Sheath Banana Plug
To Minigrabber® Patch Cord



FEATURES:

- Retractable sheath is ideal for older equipment not having double insulated jacks.

MATERIALS:

Retractable Sheath Banana Plug:

- Plug Body: Brass, Nickel Plated
- Banana Plug Spring: Beryllium Copper, Nickel Plated
- Compression Spring: Stainless Steel
- Tip: Nylon, Color Matches Color of Wire.
- Insulation: Nylon, Molded to the Plug Body and Wire.
- Marking: None

Wire: 20 AWG, Stranding 41 x 36 t.c., PVC Insulated .087 (2,21 mm) O.D.

Marking: Pomona 5270-XX

Color: Referenced by Part Number

Minigrabber®:

- Contact: Beryllium Copper, Gold Plated
- Spring: Stainless Steel
- Insulation: Nylon, Color Matches Color of Wire
- Marking: POMONA ELECTRONICS MINIGRABBER®

RATINGS:

Operating Temperature: +55°C Max.

Operating Voltage: 300 VRMS/DC

Current: 5 Amperes

ORDERING EXAMPLE: Model 5270-XX-*

XX = Wire Length, Standard Lengths: 12" (30,48cm), 24" (60,96cm), 36" (91,44cm), 48" (121,92cm), 60" (152,4cm). Additional lengths can be quoted upon request.

* = Color, -0 Black, -2 Red Ordering Example: 5270-12-2 Patch Cord is 12" (30,48cm), Color is Red.

All dimensions are in inches. Tolerances (except noted): .xx = ±.02" (.51 mm), .xxx = ±.005" (.127 mm).

All specifications are to the latest revisions. Specifications are subject to change without notice.

Registered trademarks are the property of their respective companies. Made in USA